

# PATHPORT RACK-MOUNT DMX/RDM ETHERNET GATEWAY



Models shown: 1. PWPP RM P8 XLR5F FRONT  
2. PWPP RM P4 [xxxx] REAR

## WARRANTY

3-year limited warranty. Complete warranty terms located at:  
<https://www.acuitybrands.com/support/warranty>

## NOTE

Actual performance may differ as a result of end-user environment and application. Specifications subject to change without notice.

**Pathway Pro** marked products are geared for advanced entertainment lighting system applications and are available only to authorized buyers.

**SixEye** Pathport Rack-mount models support **SixEye** cloud-based remote management

## OVERVIEW

The Pathport® series of DMX/RDM Ethernet Gateways are the heart of DMX distribution.

Connect DMX512 control devices and send data over an Ethernet network to DMX512-capable end devices such as intelligent lighting fixtures, LEDs, Dimmers, and more. Each port can be configured as an Input or Output as needed.

Advanced features include extensive protocol support, slot-by-slot patching using multiple sources, cross-fading on priority change, and signal loss behavior. Multiple connector options are available, such as 5-Pin XLR, terminal block, and RJ45 etherCON.

Status LEDs for each port provide instant confirmation of DMX activity and direction. The LCD display and encoder knob allow for front panel configuration and reporting of the most commonly used features, such as IP address and subnet mask, port direction, and protocol selection. Different Ethernet protocols may be merged together and prioritized.

## FEATURES

- Convert DMX512 to Ethernet protocol for distribution
- Convert Ethernet protocol to DMX512 for end devices
- Four or Eight DMX512 ports, individually configurable
- 10/100 Mbps Ethernet network port
- Front panel interface supports configuration of IP settings, port direction, basic patching, and more
- DMX output configured as whole universes or custom slot-by-slot patch
- Map up to eight control sources to each output slot, with merge and/or priority options user-configurable for each source
- Acts as E1.20 RDM controller, when used with free Pathscape configuration software or ANSI E1.33 RDMnet compliant controllers
- User-configurable DMX output speed and signal loss behavior
- Supports the following DMX-over-Ethernet sending and receiving protocols:
  - Pathway ssACN (Secure sACN)
  - E1.31 streaming ACN (sACN)
  - Art-Net
  - Pathport Protocol
  - ShowNet
- Silent, fan-less operation
- Rack-mount ears included
- Wide-range power input (P8), or PoE-powered (P4)
- Contact closure input configurable per port to Pause RDM or DMX Force Hold
- Also available in DIN-mount (PWPP DIN) and Wall-mount (PWPP WM) form factors

## ORDERING INFORMATION

PWPP		EXAMPLE: PWPP RM P8 XLR5F REAR						
Series	Form Factor	Port Quantity	Port Type		Port Location			
PWPP Pathway Pathport DMX/RDM Ethernet Gateway	RM Rack-mount	P4 <sup>1,2</sup> 4 DMX Ports	XLR5F	XLR 5-Pin Female	FRONT	Ports on Front Panel		
		P8 8 DMX Ports	TERM <sup>3</sup>	Compression-Fit Terminal	REAR	Ports on Rear Panel		
			RJ45EC <sup>4,5</sup>	RJ45 etherCON	FRTRR	Ports on Front AND Rear Panel [XLRTERM] XLR ports on Front and Terminal on Rear		
			XLRTERM <sup>6</sup>	XLR 5-Pin Female & Compression-Fit Terminal				

### Notes

1. P4 available with REAR ports only.
2. P4 not available with XLRTERM.
3. TERM ports available on REAR only; not available with FRTRR.
4. RJ45EC not available with FRTRR.
5. Models with RJ45EC are custom-built and are not returnable.
6. XLRTERM only available on P8, with FRTRR.

## SPECIFICATIONS

<b>Electrical</b>	<b>Input Ratings</b>	<b>PWPP RM P8</b>	100-240VAC, 50/60Hz wide-range power input 0.08A max power consumption
		<b>PWPP RM P4</b>	PoE Class 2 device 24-48VDC auxiliary power input 8W maximum power consumption
	<b>Isolation &amp; Fault Protection</b>	3000V isolation between DMX ports 250V fault protection on DMX ports	
	<b>Regulatory Compliance</b>	<b>PWPP RM P8</b>	ETL, CE
		<b>PWPP RM P4</b>	CE
<b>Mechanical</b>	<b>Dimensions</b>	<b>PWPP RM P8</b>	17" W x 1.7" H x 7.0" D (433mm W x 43mm H x 178mm D)
		<b>PWPP RM P4</b>	8.6" W x 1.7" H x 7.0" D (218mm W x 43mm H x 178mm D)
	<b>Weight</b>	<b>PWPP RM P8</b>	5.2 lbs (2.4 kg) [base device, without rack mounting hardware]
		<b>PWPP RM P4</b>	2.3 lbs (1 kg) [base device, without rack mounting hardware]
<b>Environmental</b>	<b>Operating Temperature</b>	14°F to 122°F (-10°C to 50°C)	
	<b>Relative Humidity</b>	5-95%, non-condensing	
	<b>Standard Compliance</b>	RoHS 2011/65/EU:2015/863	
<b>General</b>	<b>Compliance</b>	ANSI E1.11 DMX512-A R2013 ANSI E1.20 RDM - Remote Device Management ANSI E1.31 sACN - Streaming ACN, Art-Net, Strand ShowNet, Pathway ssACN ANSI E1.33 RDMnet - RDM over IP California Title 1.81.26, Security of Connected Devices	
		<b>PWPP RM P4</b>	IEEE 802.3af Power-over-Ethernet

## PART NUMBER CROSS-REFERENCE

PREVIOUS	NEW	
Part Number	Catalog Number	Description
6321 (QUATTRO)	PWPP RM P4 XLR5F REAR	Pathport, Rack-mount, 4-Ports, XLR 5-Pin Female, Rear Panel Connectors
6322 (QUATTRO)	PWPP RM P4 TERM REAR	Pathport, Rack-mount, 4-Ports, Compression Fit Terminal, Rear Panel Connectors
6326 (QUATTRO)	PWPP RM P4 RJ45EC REAR	Pathport, Rack-mount, 4-Ports, RJ45 EtherCON, Rear Panel Connectors
6421 (OCTO)	PWPP RM P8 XLR5F REAR	Pathport, Rack-mount, 8-Ports, XLR 5-Pin Female, Rear Panel Connectors
6422 (OCTO)	PWPP RM P8 TERM REAR	Pathport, Rack-mount, 8-Ports, Compression Fit Terminal, Rear Panel Connectors
6423 (OCTO)	PWPP RM P8 XLR5F FRONT	Pathport, Rack-mount, 8-Ports, XLR 5-Pin Female, Front Panel Connectors
6424 (OCTO)	PWPP RM P8 XLRTERM FRTRR	Pathport, Rack-mount, 8-Ports, Front XLR, Rear Terminal, Front and Rear Panel Connectors
6425 (OCTO)	PWPP RM P8 XLR5F FRTRR	Pathport, Rack-mount, 8-Ports, XLR 5-Pin Female, Front and Rear Panel Connectors
6426 (OCTO)	PWPP RM P8 RJ45EC REAR	Pathport, Rack-mount, 8-Ports, RJ45 EtherCON, Rear Panel Connectors
6427 (OCTO)	PWPP RM P8 RJ45EC FRONT	Pathport, Rack-mount, 8-Ports, RJ45 EtherCON, Front Panel Connectors

## ADDITIONAL ORDERING INFORMATION

Accessories		
PWCON PH5 IDC5 Q1	Connector, 5-Pin Phoenix, 5-Pin Insulation Displacement Contact Connector, (Qty 1)	<b>PWPWR WW BARL 24W 24VDC</b> Power Supply, Wallwart, Barrel, 24 Watts, 24 Volts DC (for PWPP RM P4)
PWACC WMLG	Pathway Accessory, Large Rack-mount to Wall-mount kit	<b>PWACC XLRMKIT</b> Pathway Accessory Front XLR Connector Kit, Pathport Rackmount 4-port, XLR5M Input (x4)
PWACC TMLG	Pathway Accessory, Large Rack-mount to Truss-mount kit	<b>PWACC XLRFKIT</b> Pathway Accessory Front XLR Connector Kit, Pathport Rack-mount 4-port, XLR5F Output (x4)
PWACC TMSM	Pathway Accessory, Small Rack-mount to Truss mount kit	<b>PWACC XLRMFKIT</b> Pathway Accessory Front XLR Connector Kit, Pathport Rack-mount 4-port, XLR5M (x2), XLR5F (x2)
PWACC WMSM	Pathway Accessory, Small Rack-mount to Wall-mount kit	
PWACC EARS	Pathway Accessory, 19" Replacement Rackmount Ear Kit	

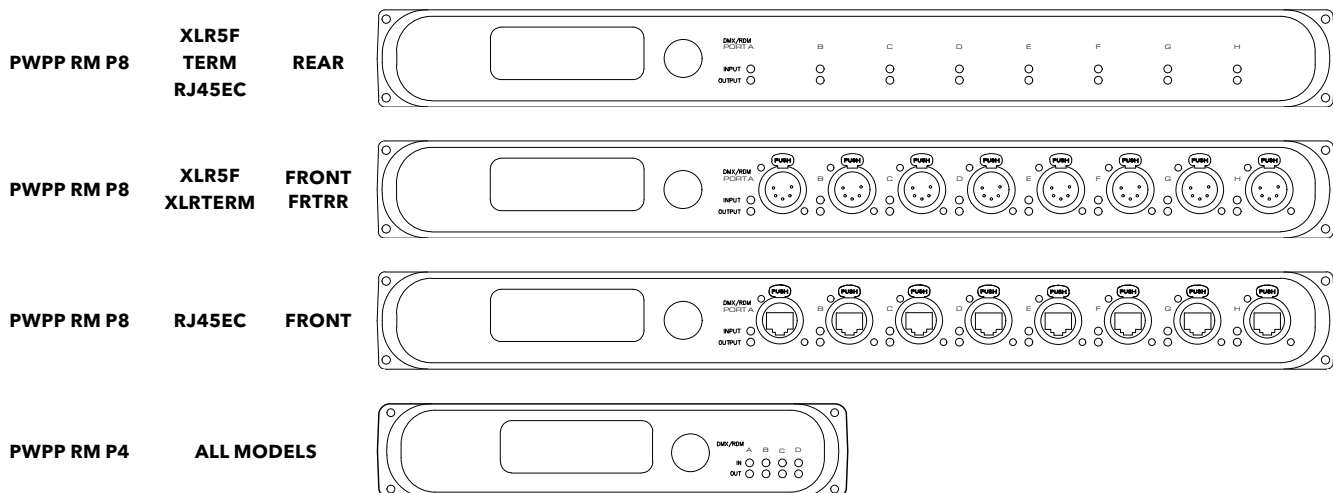
## WIRING

DMX512 / RDM PINOUT		
Purpose	XLR / Terminal Block Pin #	RJ45 PIN # and Wire Color
Shield / Common	1	7 - White / Brown or 8 - Brown <sup>1</sup>
Data - (complement)	2	2 - Orange
Data + (true)	3	1 - White / Orange
Not Used	4	6 - Green
Not Used	5	3 - White / Green
Not Used - Do Not Connect	N/A	4 - Blue
Not Used - Do Not Connect	N/A	5 - White / Blue

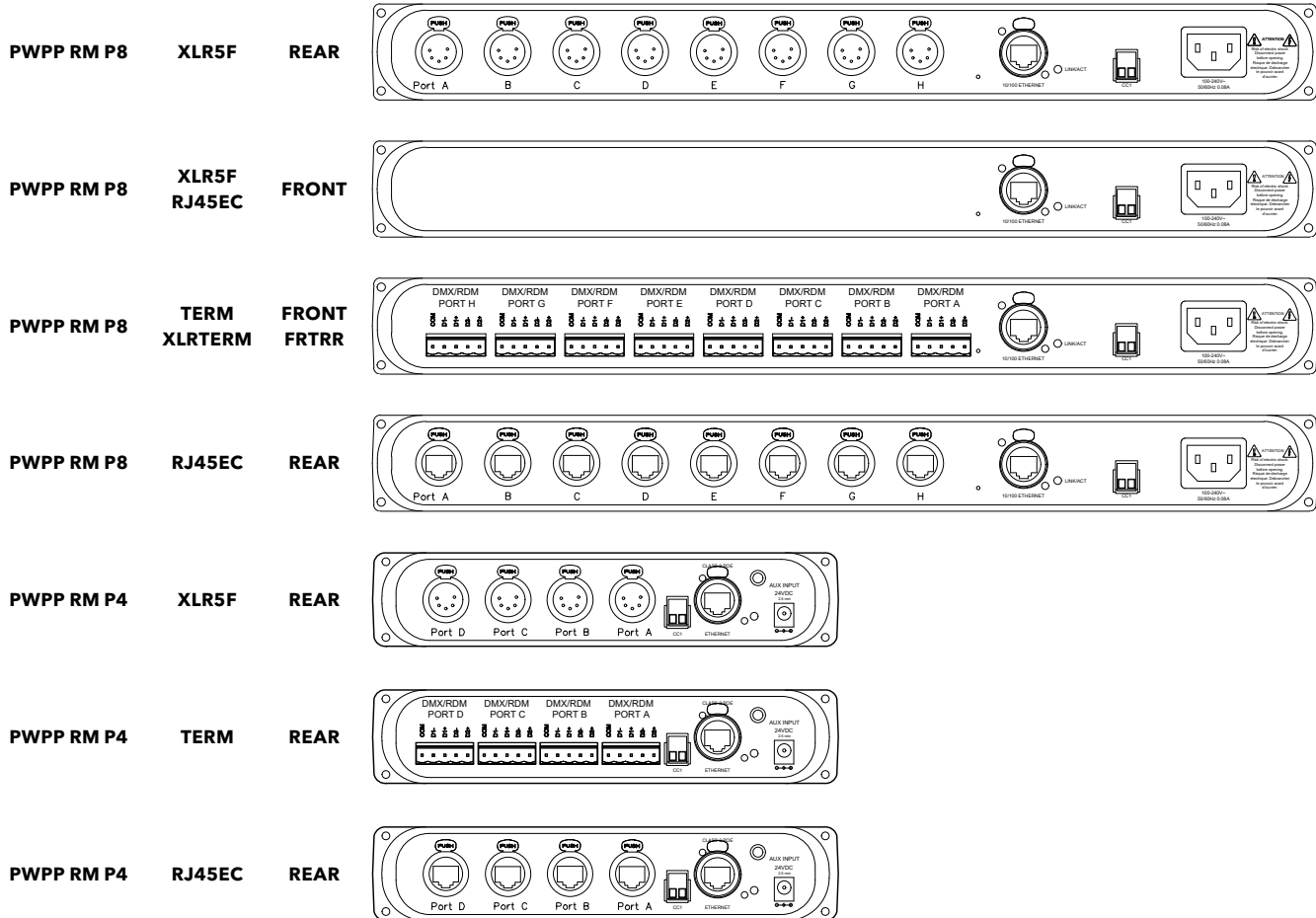
### Notes

1. For Insulation Displacement Contact (IDC) connectors, connect *only one* of these wires.

## FRONT PANEL

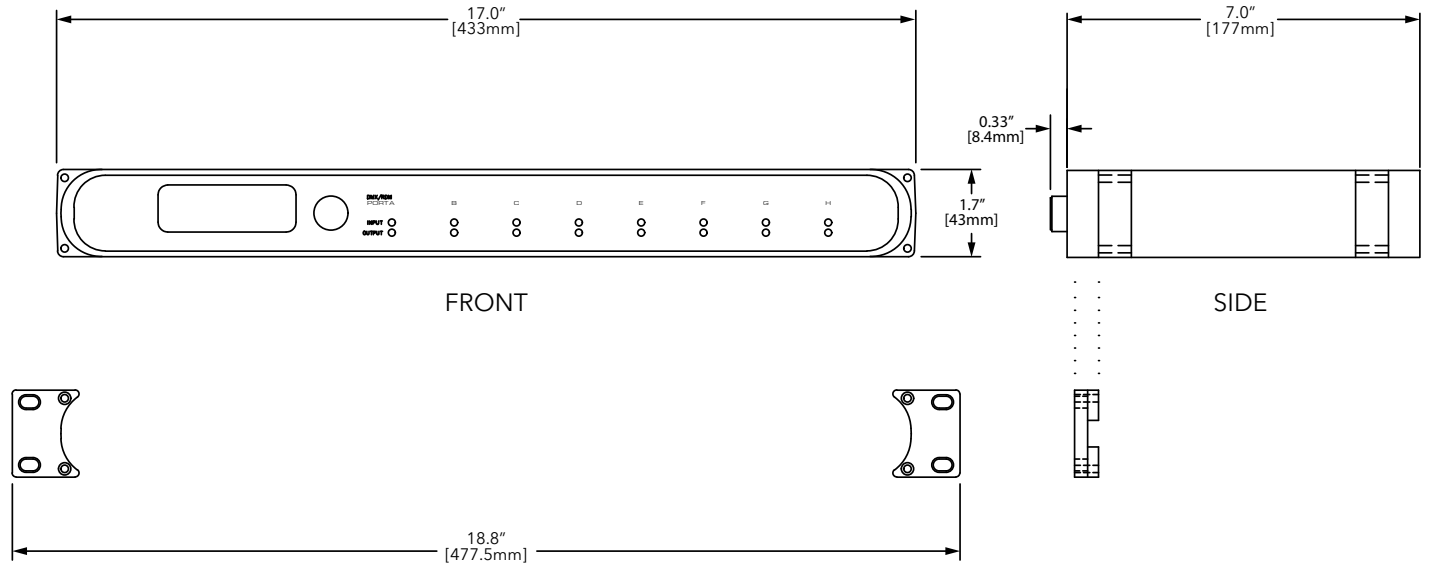


## REAR PANEL

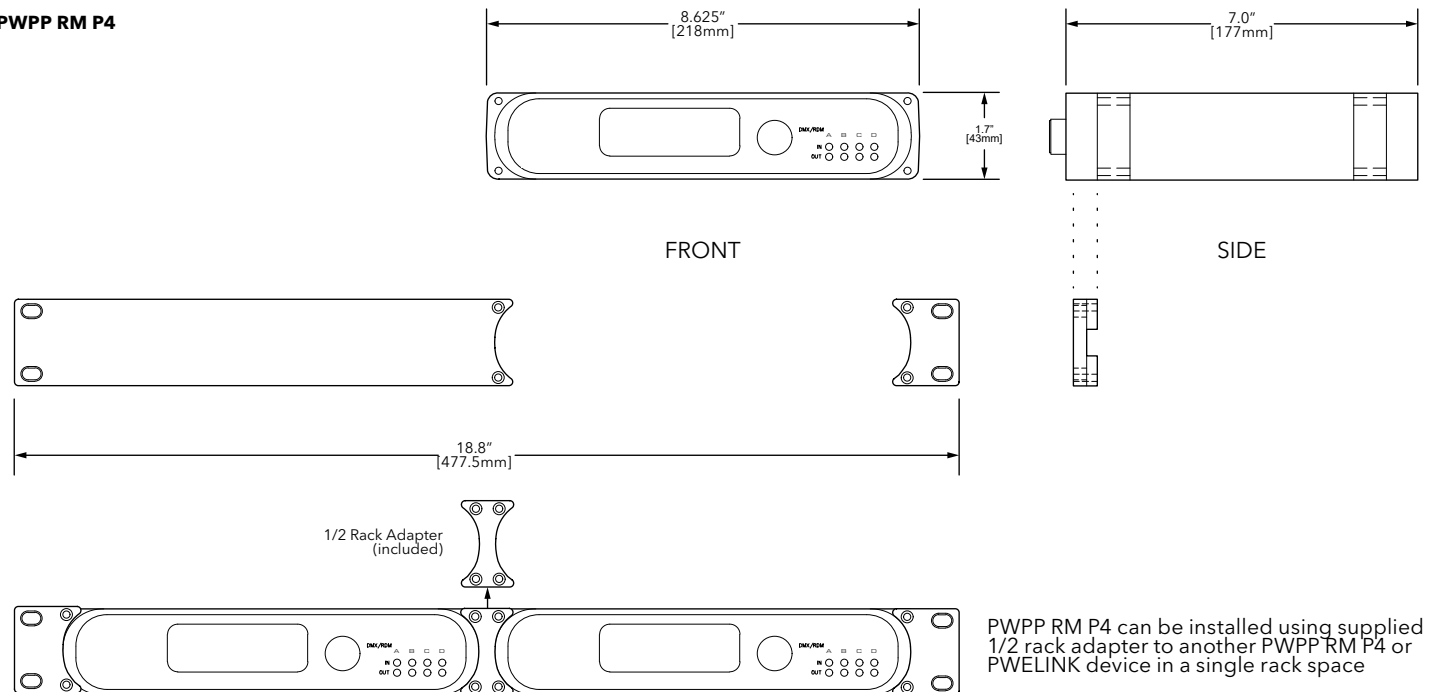


## DIMENSIONS

### PWPP RM P8

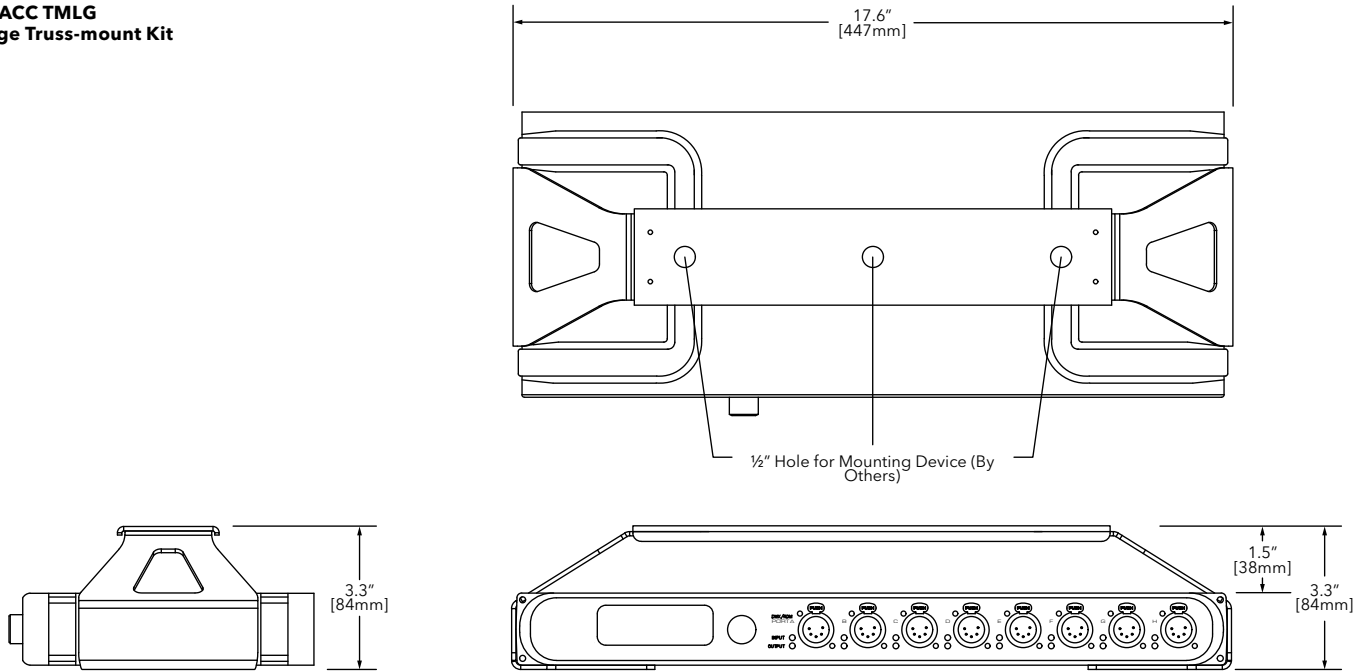


### PWPP RM P4

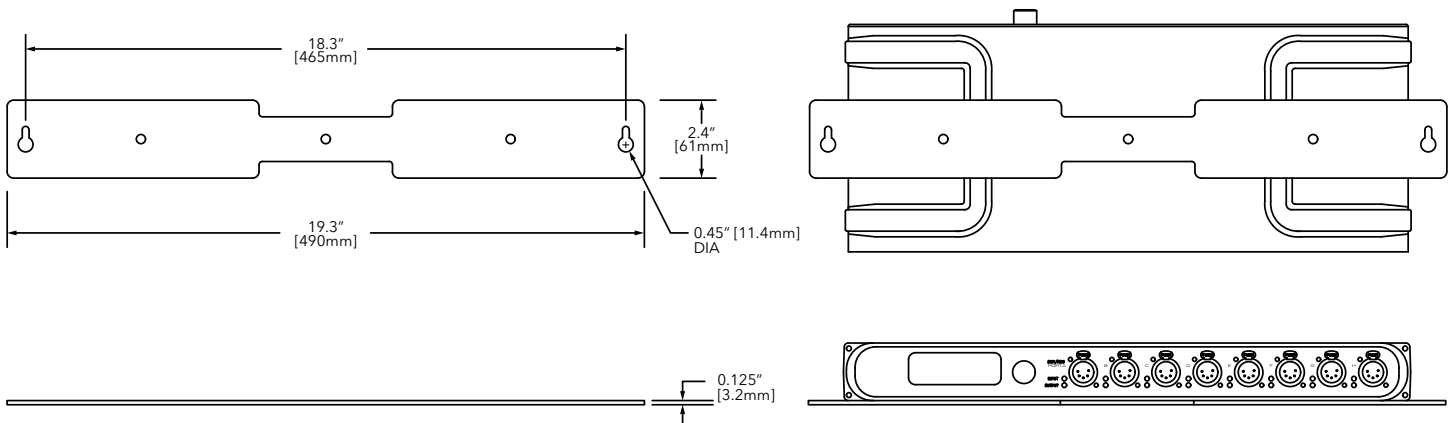


## TRUSS & WALL MOUNT ACCESSORIES

### PWACC TMLG Large Truss-mount Kit

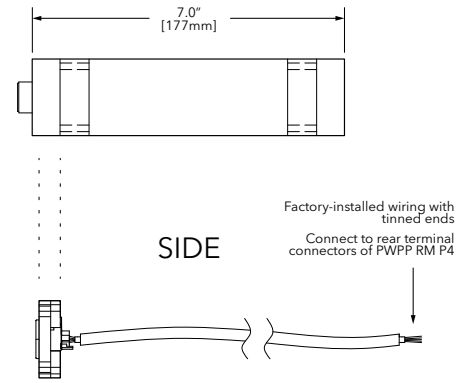
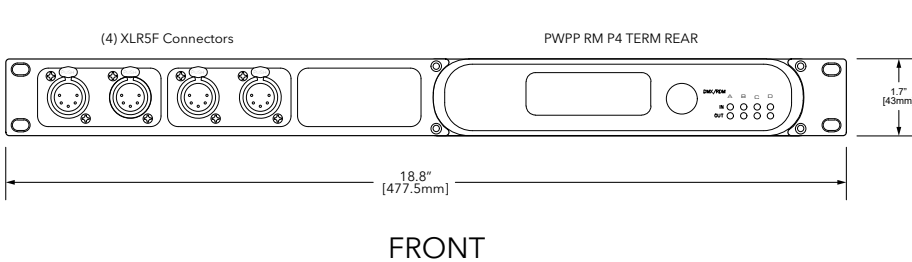


### PWACC WMLG Large Wall-mount Kit



## CONNECTOR KIT ACCESSORY

### PWACC XLRFKIT Front XLR Connector Kit



PWACC XLRFKIT Shown  
(4 XLR 5-Pin Female Connectors)  
4 XLR 5-Pin Male and 2-Female/2-Male  
versions also available.

## APPLICATION RISER

