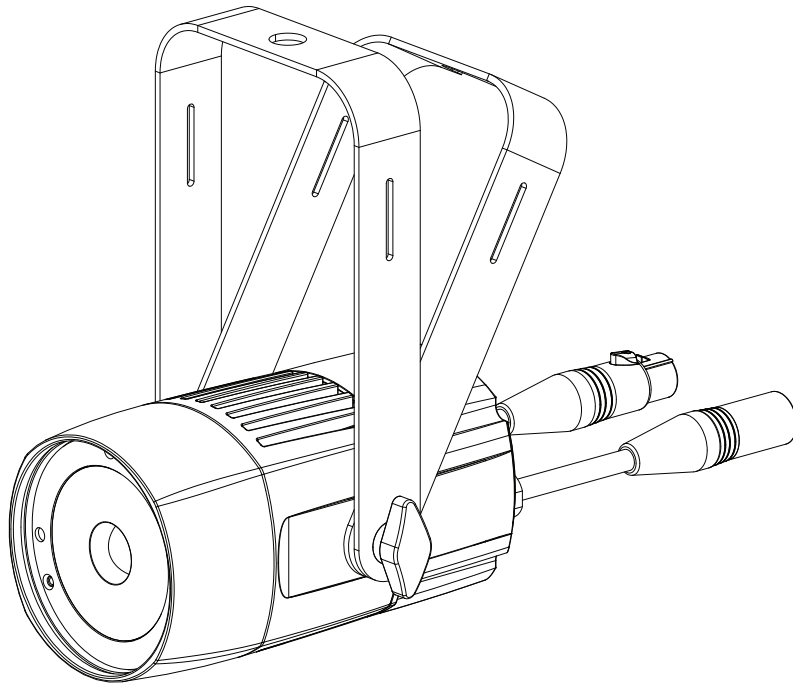




SABER SPOT WW



©2017 ADJ Products, LLC all rights reserved. Information, specifications, diagrams, images, and instructions herein are subject to change without notice. ADJ Products, LLC logo and identifying product names and numbers herein are trademarks of ADJ Products, LLC. Copyright protection claimed includes all forms and matters of copyrightable materials and information now allowed by statutory or judicial law or hereinafter granted. Product names used in this document may be trademarks or registered trademarks of their respective companies and are hereby acknowledged. All non-ADJ Products, LLC brands and product names are trademarks or registered trademarks of their respective companies.

ADJ Products, LLC and all affiliated companies hereby disclaim any and all liabilities for property, equipment, building, and electrical damages, injuries to any persons, and direct or indirect economic loss associated with the use or reliance of any information contained within this document, and/or as a result of the improper, unsafe, insufficient and negligent assembly, installation, rigging, and operation of this product.

User Instructions



Europe Energy Saving Notice

Energy Saving Matters (EuP 2009/125/EC)

Saving electric energy is a key to help protecting the environment. Please turn off all electrical products when they are not in use. To avoid power consumption in idle mode, disconnect all electrical equipment from power when not in use. Thank you!

Saber Spot WW

General Information

Unpacking: Thank you for purchasing the Saber Spot WW by ADJ Products, LLC. Every Saber Spot WW has been thoroughly tested and has been shipped in perfect operating condition. Carefully check the shipping carton for damage that may have occurred during shipping. If the carton appears to be damaged, carefully inspect your fixture for any damage and be sure all equipment necessary to operate the unit has arrived intact. In the event damage has been found or parts are missing, please contact our toll free customer support number for further instructions. Please do not return this unit to your dealer without contacting customer support first.

Introduction: The Saber Spot WW is a DMX intelligent LED fixture. The Saber Spot WW can operate as a stand alone fixture or in a primary/secondary set up. The Saber Spot WW has three operating modes; WW dimmer mode, show mode, & DMX controlled. This fixture is suitable for theaters, studios, retail stores, and other similar locations. *For best results use fog or special effects smoke to enhance the beams projections.*

Customer Support: ADJ Products, LLC provides a toll free customer support line, to provide help and to answer any question should you encounter problems during your set up or initial operation. You may also visit us on the web at www.adj.com for any comments or suggestions. Service Hours are Monday through Friday 8:00 a.m. to 4:30 p.m. Pacific Standard Time.

Voice: (800) 322-6337
Fax: (323) 582-2941
E-mail: support@americandj.com

Warning! To prevent or reduce the risk of electrical shock or fire, do not expose this unit to rain or moisture.

Warning! *This may cause severe eye damage. Avoid looking directly into the light source at all times!*

Saber Spot WW

General Instructions

To optimize the performance of this product, please read these operating instructions carefully to familiarize yourself with the basic operations of this unit. These instructions contain important safety information regarding the use and maintenance of this unit. Please keep this manual with the unit, for future reference.

Saber Spot WW

Features

- DMX-512 Protocol Compatible (3 DMX Channel Modes: 1/2/4)
- 3 Operating Modes - Show Mode, WW Dimmer Mode & DMX Control
- 5 Dimmer Curves (Standard, Stage, TV, Architectural, & Theatre)
- Digital Display for Address and Function Setting
- UC IR Compatible (Not Included) & Airstream App Compatible
- Power Cord Daisy Chainable (See page 23)

Saber Spot WW

Warranty Registration

The Saber Spot WW carries a 2 year (730 days) limited warranty. Please fill out the enclosed warranty card to validate your purchase and warranty. You may also register your product online at www.adj-products.com. All returned service items whether under warranty or not, must be freight pre-paid and accompany a return authorization (R.A.) number. If the unit is under warranty you must provide a copy of your proof of purchase invoice. Please contact ADJ Products, LLC customer support for a R.A. number.

Saber Spot WW

Handling Precautions

Caution! There are no user serviceable parts inside this unit. Do not attempt any repairs yourself, doing so will void your manufactures warranty. In the unlikely event your unit may require service please contact ADJ Products, LLC.

During operation the housing may become extremely hot. Avoid touching the unit with bare hands while in use.

ADJ Products, LLC will not accept any liability for any resulting damages caused by the non-observance of this manual or any unauthorized modification to this unit.

For Your Own Personal Safety, Please Read and Understand This Manual Completely Before You Attempt To Install Or Operate This Unit!

- To reduce the risk of electrical shock or fire, do not expose this unit rain or moisture
- Do not spill water or other liquids into or on to your unit.
- Be sure that the local power outlet match that of the required voltage for your unit.
- Do not attempt to operate this unit if the power cord has been frayed or broken.
- Do not attempt to remove or break off the ground prong from the electrical cord. This prong is used to reduce the risk of electrical shock and fire in case of an internal short.
- Disconnect from main power before making any type of connection.
- Do not remove the cover under any conditions. There are no user serviceable parts inside.
- Never operate this unit when it's cover is removed.
- Always be sure to mount this unit in an area that will allow proper ventilation. Allow about 6" (15cm) between this device and a wall.
- Do not attempt to operate this unit, if it becomes damaged.
- This unit is intended for indoor use only, use of this product outdoors voids all warranties.
- Always mount this unit in safe and stable matter.
- Power-supply cords should be routed so that they are not likely to be walked on or pinched by items placed upon or against them, paying particular attention to cords at plugs, convenience receptacles, and the point where they exit from the appliance.
- Cleaning -The fixture should be cleaned only as recommended by the manufacturer. See page 21 for cleaning details.
- Heat -This fixture should be situated away from heat sources such as radiators, heat registers, stoves, or other appliances (including amplifiers) that produce heat.
- The fixture should be serviced by qualified service personnel when:
 - A. Objects have fallen, or liquid has been spilled into the appliance.
 - B. The appliance has been exposed to rain or water.
 - C. The appliance does not appear to operate normally or exhibits a marked change in performance.

Power Supply: The ADJ Saber Spot WW contains a automatic voltage switch, which will auto sense the voltage when it is plugged into the power source. With this switch there is no need to worry about the correct power voltage, this unit can be plugged in anywhere.

DMX-512: *DMX is short for Digital Multiplex. This is a universal protocol used by most lighting and controller manufactures as a form of communication between intelligent fixtures and controllers. A DMX controller sends DMX data instructions from the controller to the fixture. DMX data is sent as serial data that travels from fixture to fixture via the DATA "IN" and DATA "OUT" XLR terminals located on all DMX fixtures (most controllers only have a DATA "OUT" terminal).*

DMX Linking: DMX is a language allowing all makes and models of different manufactures to be linked together and operate from a single controller, as long as all fixtures and the controller are DMX compliant. *To ensure proper DMX data transmission, when using several DMX fixtures try to use the shortest cable path possible. The order in which fixtures are connected in a DMX line does not influence the DMX addressing. For example; a fixture assigned a DMX address of 1 may be placed anywhere in a DMX line, at the beginning, at the end, or anywhere in the middle. Therefore, the first fixture controlled by the controller could be the last fixture in the chain. When a fixture is assigned a DMX address of 1, the DMX controller knows to send DATA assigned to address 1 to that unit, no matter where it is located in the DMX chain.*

Data Cable (DMX Cable) Requirements: The Saber Spot WW can be controlled via DMX-512 protocol. The Saber Spot WW has 3 DMX channel modes. The DMX

address is set electronically using the controls on the rear panel of the unit. Your unit and your DMX controller require a approved DMX-512 110 Ohm Data cable for data input and data output (Figure 1). We recommend Accu-Cable DMX cables. If you are making your own cables, be sure to use standard 110-120 Ohm shielded cable (This cable may be purchased at almost all professional sound and lighting stores). Your cables should be made with



Figure 1

a male and female XLR connector on either end of the cable. Also remember that DMX cable must be daisy chained and cannot be split.

Notice: Be sure to follow figures two and three when making your own cables. Do not use the ground lug on the XLR connector. Do not connect the cable's shield conductor to the ground lug or allow the shield conductor to come in contact with the XLR's outer casing. Grounding the shield could cause a short circuit and erratic behavior.



Figure 2

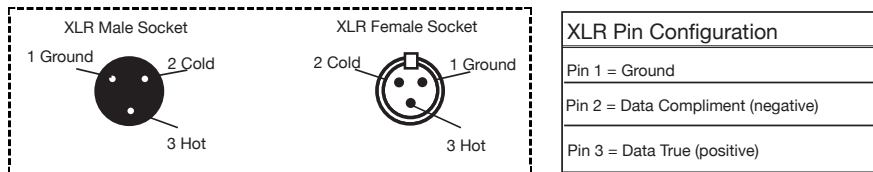


Figure 3

Special Note: Line Termination. When longer runs of cable are used, you may need to use a terminator on the last unit to avoid erratic behavior. A terminator is a 110-120 ohm 1/4 watt resistor which is connected between pins 2 and 3 of a male XLR connector (DATA + and DATA -). This unit is inserted in the female XLR connector of the last unit in your daisy chain to terminate the line. Using a cable terminator (ADJ part number Z-DMX/T) will decrease the possibilities of erratic behavior.



Termination reduces signal errors and avoids signal transmission problems and interference. It is always advisable to connect a DMX terminal, (Resistance 120 Ohm 1/4 W) between PIN 2 (DMX-) and PIN 3 (DMX +) of the last fixture.

Figure 4

5-Pin XLR DMX Connectors. Some manufactures use 5-pin DMX-512 data cables for DATA transmission in place of 3-pin. 5-pin DMX fixtures may be implemented in a 3-pin DMX line. When inserting standard 5-pin data cables in to a 3-pin line a cable adaptor must be used, these adaptors are readily available at most electric stores. The chart below details a proper cable conversion.

3-Pin XLR to 5-Pin XLR Conversion		
Conductor	3-Pin XLR Female (Out)	5-Pin XLR Male (In)
Ground/Shield	Pin 1	Pin 1
Data Compliment (- signal)	Pin 2	Pin 2
Data True (+ signal)	Pin 3	Pin 3
Not Used		Pin 4 - Do Not Use
Not Used		Pin 5 - Do Not Use

Display Menu	Software Update Please Wait ... ADJ SOFTWAREV1.0 3	
Special Remark:	About LED protection : When reach 65 degree, the power consumption is reduced to 82%. When the sensor is damaged, the power consumption is reduced to 65%.	
SN	MENU DISPLAY	FUNCTION
1	DMX MODE ADDR: 001	Address setting 001- 512
2	CHANNNEL 4CH	1/2/4CH(see channel mode)
3	Secondary	Secondary mode
4	LOOK Store:01	Store mode 01- 13
5	Reset ? NO	Yes,press ENTER to resume the factory default setting
6	Manual W 000- 255 S 000- 255	Manual dimmer W 000- 255 strobe : S000- 255
7	DimCurve Standard	5 kinds Dimmer curve Standard, Stage, TV, Architec, Theatre
8	NO DMX Hold	No DMX mode Blackout, Hold, LOOK
9	TempUnit	C/F
10	Temp Val	Temperature show: xxx F
11	AUTOLOCK	Display keylock OFF/ON
12	IR Active	IR setting OFF/ON
13	FlipDisplay	Flip display OFF/ON

System Menu: When making adjustments press ENTER to confirm your setup then press and hold the MENU button for at least 3 seconds. To exit without making any adjustments press the MENU button. The display will lock after 30 seconds, press the MENU button for 3 seconds to unlock.

DMX MODE - DMX Address Setting.

1. Press the either the MENU, UP, or DOWN buttons until “**DMX MODE**” is displayed, press ENTER.
2. The current address will now be displayed and flashing. Press the UP or DOWN buttons to find your desired address. Press ENTER to set your desired DMX address.

CHANNEL - This will let select your desired DMX channel mode.

1. Press the either the MENU button until “**CHANNEL**” is displayed, press ENTER. The current DMX channel mode will be displayed.
2. Press the UP or DOWN buttons to find your desired DMX channel mode and press ENTER to confirm and exit.

SECONDARY - This will let you set the unit as the secondary in a primary/secondary configuration.

1. Press the MENU button until “**SECONDARY**” is displayed, press ENTER.

LOOK - In this mode you can run a show mode.

1. Press the MENU button until “**LOOK**” is displayed, press ENTER.
2. Use the UP or DOWN buttons to find your desired mode.

RESET - This function will return the unit to its default settings.

1. Press the the MENU button until “**RESET**” is displayed and press ENTER.
2. The display will show either “**NO**” or “**YES**”. Press the UP or DOWN buttons so that “**YES**” is displayed. Press ENTER and the unit will reset back to default settings.

MANUAL - This function will allow you to manually adjust each LED output intensity and strobe rate. This function is also a manual testing mode.

1. Press the MENU button until “**MANUAL**” is displayed, press ENTER.
2. Using the UP or DOWN buttons scroll to the Strobe setting and press ENTER. Use the UP or DOWN buttons to set the strobe setting to “255”, and press ENTER again
3. After you have set the strobe setting to “255”, press the UP or DOWN buttons so that W:XXX is displayed and press ENTER. Now use the UP or DOWN buttons to adjust the output intensity.
4. If you would like the unit to strobe, scroll back to the strobe setting and press ENTER. Use the UP or DOWN buttons to adjust the strobe rate. Press ENTER once you have found your desired strobe rate.

DimCurve - This will let select your desired dimmer curve.

1. Press the MENU button until “**DimCurve**” is displayed, and press ENTER. 1 of 5 dimmer curves will be displayed. “**STANDARD**”, “**STAGE**”, “**TV**”, “**ARCHITEC**” (Architectural), or “**THEATRE**”. See the dimmer curve chart on page 199 for more info.

2. Press the UP or DOWN buttons to find your desired dimmer curve and press ENTER to confirm.

NO DMX - This mode can be used as a precaution mode, that in case the DMX signal is lost, interrupted, or power is lost, the operating mode chosen in the setup is the running mode the fixture will go into when the DMX signal is lost. You can also set this as the operating mode you would like the unit to return to when power is applied.

1. Press the MENU button until “**NO DMX**” is displayed, and either “**Look**”, “**Blackout**”, or “**Hold**” will be displayed beneath.
2. Press ENTER and the bottom choice will begin to flash. Use the UP or DOWN buttons to choose an operating mode you would like the unit to start up in when power is applied or the DMX signal is lost.

- **Look** (Primary/Secondary) - If the DMX signal is lost or power is applied, the unit will automatically run a built-in show.
- **Blackout** - If the DMX signal is lost or interrupted, the unit will automatically go into stand by mode.
- **Hold** - If the DMX signal is lost the fixture will stay in the last DMX setting. If power is applied and this mode is set, the unit will automatically go into the last DMX set up.

3. Press ENTER to confirm your desired set up.

TempUnit - With this function you can switch the temperature display to show either Celsius or Fahrenheit.

1. Press the MENU button until “**TempUnit**” is displayed, press ENTER.
2. Use the UP or DOWN buttons to switch between Celsius or Fahrenheit. Press ENTER to select your desired setting.

Temp Val - With this function you can check the temperature of the fixture.

1. Press the MENU button until “**Temp Val**” is displayed, press ENTER.
2. The fixture temperature will now be displayed. Press MENU to exit.

AUTOLOCK - With this function you can have the keys lock off after 10 seconds of no use.

1. Press the MENU button until “**AUTOLOCK**” is displayed, press ENTER.
2. The display will show either “**ON**” or “**OFF**”. Press the UP or DOWN buttons to select “**ON**” to have the keys lock after 10 seconds, or “**OFF**” so that the keys will remain unlocked.
3. Press ENTER to confirm.

IR Active - With this function you can activate the IR function and use the UC IR or Airstream app to control the unit.

1. Press the MENU button until “**IR Active**” is displayed, press ENTER.
2. The display will show either “**ON**” or “**OFF**”. Press the UP or DOWN buttons to select “**ON**” to activate IR function, or “**OFF**” to turn off the IR function.
3. Press ENTER to confirm. See page 16 for IR controls.

FlipDisplay - This function will reverse the display 180°.

1. Press the either the MENU button until “**FlipDisplay**” is dis-

played, press ENTER.

2. The display will show either “**ON**” or “**OFF**”. Press the UP or DOWN buttons to select “**ON**” to flip the display, or “**OFF**” to keep the display normal.
3. Press ENTER to confirm.

Universal DMX Control: This function allows you to use a universal DMX-512 controller to control the colors, master dimmer and strobe. A DMX controller allows you to create unique programs tailored to your individual needs.

1. The Saber Spot WW has 3 DMX channel modes. See pages 17-18 for detailed description of the DMX values and traits.
2. To control your fixture in DMX mode, follow the set-up procedures on pages 7-9 as well as the set-up specifications that are included with your DMX controller.
3. Use the controller's faders to control the various DMX fixture traits.
4. This will allow you to create your own programs.
5. Follow the instruction on page 9 to select your DMX channel mode and set your desired DMX address.
6. For longer cable runs (more than a 100 feet) use a terminator on the last fixture.
7. For help operating in DMX mode consult the manual included with your DMX controller.

Show Mode: This mode allows either a single unit or several units linked together to run a built-in program.

1. Press the MENU button until "**Look**" is displayed, and press ENTER.
2. Press the UP or DOWN buttons to find your desired show.

Primary-Secondary Operation This function will allow you to link up to 16 units together and operate without a controller. In a Primary-Secondary set up, one unit will act as the controlling unit and the others will react to the controlling units programs. Any unit can act as a Primary or as a Secondary.

1. Using approved DMX data cables, daisy chain your units together via the XLR connector on the rear of the units. Remember the Male XLR connector is the input and the Female XLR connector is the output. The first unit in the chain (primary) will use the female XLR connector only - The last unit in the chain will use the male XLR connector only. For longer cable runs we suggest a terminator at the last fixture.
2. On the Primary unit find your desired operating mode.
3. On the Secondary units press the MENU button until "**Secondary**" is displayed.
4. The Secondary units will now follow the Primary unit.

The Saber Spot WW Plus comes with 2 frost filters. Install the filter in front of the lens and put the included retainer ring top to hold the lens in place.

Saber Spot WW**UC IR Operation**

The **UC IR (sold separately)** infrared remote gives you control of various functions (See below). To control the fixture you must aim the remote at the front of the fixture and be no more than 30 feet away.

The Saber Spot WW is also compatible with the **Airstream IR** app. The IR transmitter is available through any ADJ dealer or through the ADJ parts website. Plug the transmitter into the headphone jack of your iOS phone or tablet. To control your IR fixture you must raise the volume to the maximum on your iOS phone or tablet and aim the transmitter at the front of the fixture and be no more than 15 feet away. After you have purchased the Airstream IR transmitters, the app is a free download from the app store for your iOS phone or tablet. The app comes with 3 pages of control depending on the IR fixture you are using. Please see below for IR functions including the corresponding app page.

Works with App page 1.

STAND BY - Press this button to go into DMX mode or IR active.

FULL ON - Press this button down to fully light up the unit.

STROBE - Press this button to activate strobing. Use the “Dimmer +/-” to adjust the strobe rate.

FADE/GOBO - Press this button to activate fade mode. Continue to press this button to find your desired fade speed.

“**DIMMER +**” and “**DIMMER -**” - Use these buttons adjust the strobe rate and output intensity in color mode.

COLOR - This button will activate the warm white color. You must first press Full On then press Color twice until it blacks out. Then you can use the Dimmer +/- to adjust the output intensity.

1-9 - These buttons are invalid for this fixture.

SOUND ON & OFF - These buttons are invalid for this fixture.

SHOW 0 - This button is invalid for this fixture.

Saber Spot WW**1 Channel Mode**

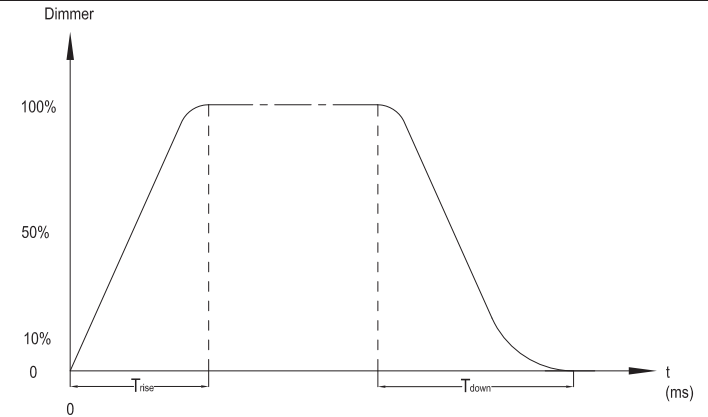
Channel	Value	Function
1	0 - 255	WARM WHITE 0% - 100%

Saber Spot WW**2 Channel Mode**

Channel	Value	Function
1	0 - 255	WARM WHITE 0% - 100%
2	0 - 31	SHUTTER/STROBE LED OFF
	32 - 63	LED ON
	64 - 95	STROBING SLOW - FAST
	96 - 127	LED ON
	128 - 159	PULSE STROBE SLOW - FAST
	160 - 191	LED ON
	192 - 223	RANDOM STROBE SLOW - FAST
	224 - 255	LED ON

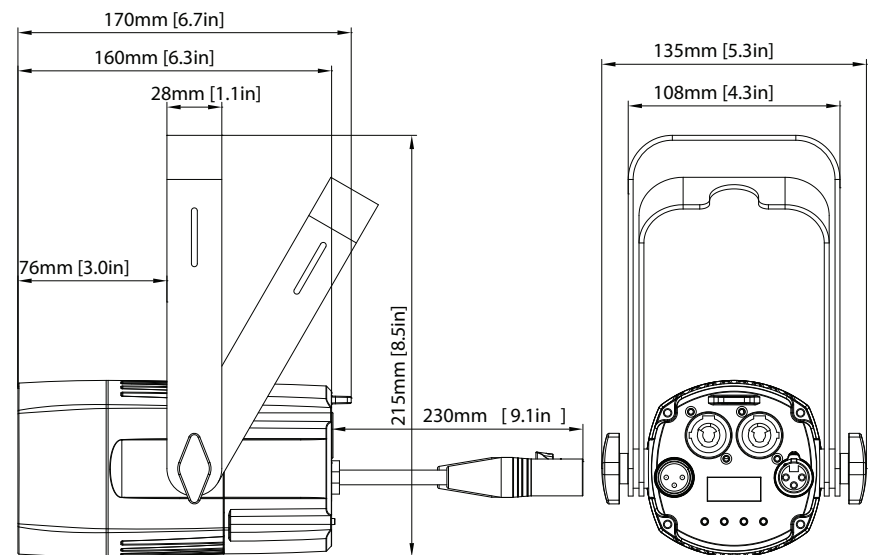
Saber Spot WW		4 Channel Mode
Channel	Value	Function
1	0 - 255	WARM WHITE 0% - 100%
2	0 - 255	WARM WHITE FINE 0% - 100%
3	0 - 31	SHUTTER/STROBE LED OFF
	32 - 63	LED ON
	64 - 95	STROBING SLOW - FAST
	96 - 127	LED ON
	128 - 159	PULSE STROBE SLOW - FAST
	160 - 191	LED ON
4	192 - 223	RANDOM STROBE SLOW - FAST
	224 - 255	LED ON
	0 - 20	DIMMER CURVES STANDARD
	21 - 40	STAGE
41 - 60	TV	
61 - 80	ARCHITECTURAL	
81 - 100	THEATRE	
101 - 255	DEFAULT DIMMER SETTING	

Saber Spot WW Dimmer Curve Chart



Ramp Effect	0 \square 255 OS (Fade Time)		0 \square 255 1S (Fade Time)	
	T_{rise} (ms)	T_{down} (ms)	T_{rise} (ms)	T_{down} (ms)
Standard	0	0	0	0
Stage	780	1100	1540	1660
TV	1180	1520	1860	1940
Architectural	1380	1730	2040	2120
Theatre	1580	1940	2230	2280

Saber Spot WW CAD Drawing



Saber Spot WW

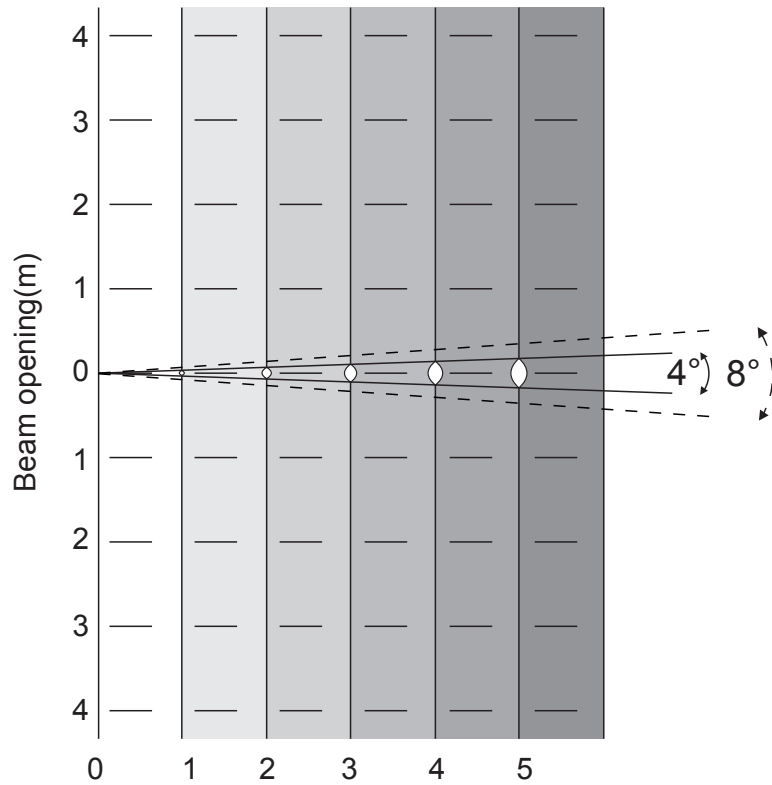
Photometric Chart

Beam angle 4°

Field angle 8°

Intensity(LUX)

Full LEDs 51890 13030 5536 3093 1956



4° Diameter(m)	0.06	0.15	0.24	0.33	0.41
8° Diameter(m)	0.13	0.31	0.48	0.66	0.83

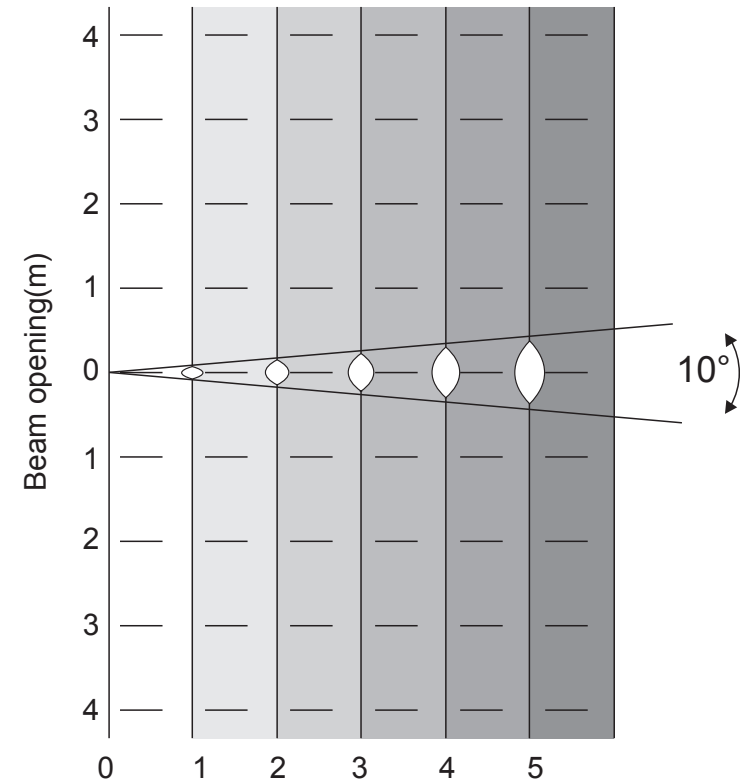
Saber Spot WW

Photometric Chart

Beam angle 10° (single face)frost filter

Intensity(LUX)

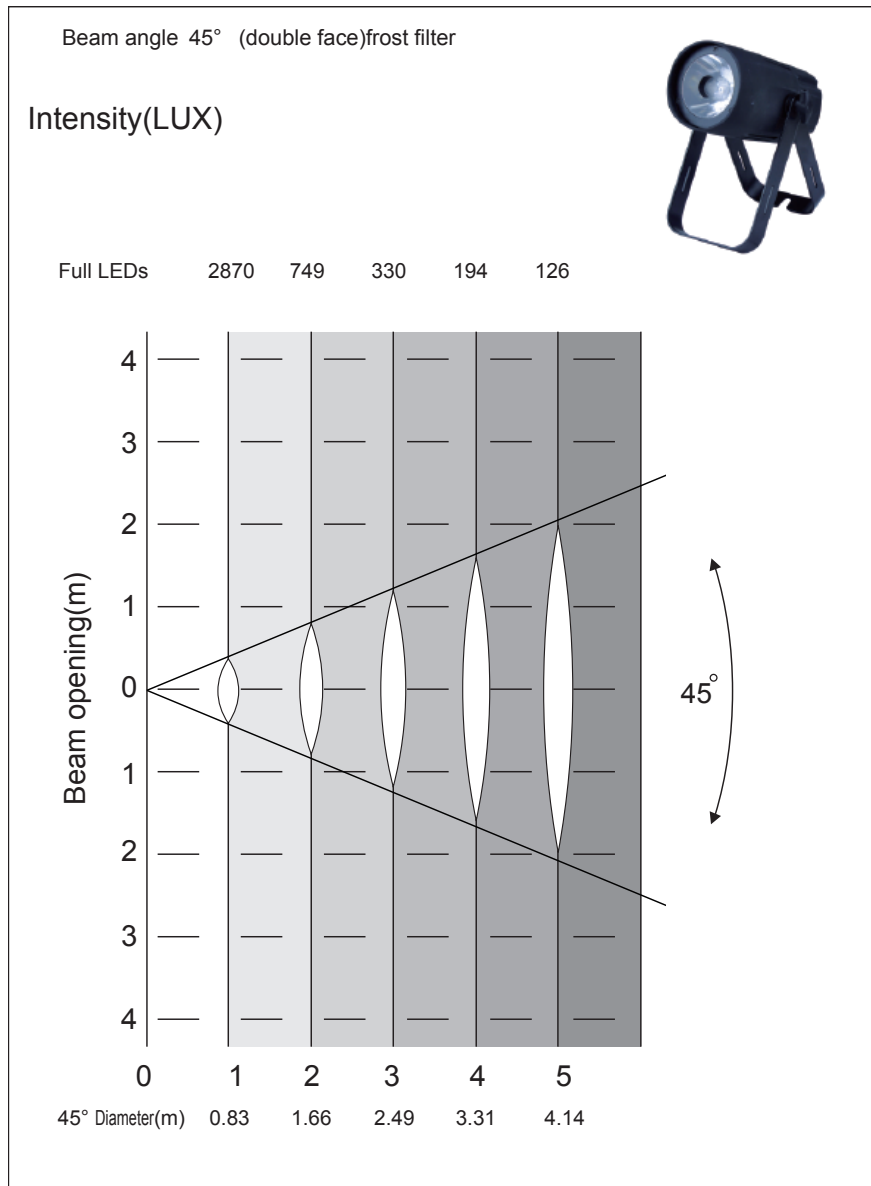
Full LEDs 20880 5399 2303 1339 842



10° Diameter(m)	0.17	0.35	0.52	0.70	0.87
-----------------	------	------	------	------	------

Saber Spot WW

Photometric Chart



Saber Spot WW

Power Cord Daisy Chain

With this feature you can connect the fixtures to one another using the PowerCON input and output sockets. The quantity that can be connected is 36 fixtures maximum @ 110V and a maximum 65 fixture's @ 240V. After maximum limit has been reached you will need to use a new power outlet. They must be the same fixtures. DO NOT mix fixtures.

Saber Spot WW

Cleaning

Due to fog residue, smoke, and dust cleaning the internal and external optical lenses and mirror should be carried out periodically to optimize light output. Cleaning frequency depends on the environment in which the fixture operates (i.e. smoke, fog residue, dust, dew). In heavy club use we recommend cleaning on a monthly basis. Periodic cleaning will ensure longevity, and crisp output.

1. Use normal glass cleaner and a soft cloth to wipe down the outside casing.
2. Use a brush to wipe down the cooling vents and fan grill.
3. Clean the external optics with glass cleaner and a soft cloth every 20 days.
4. Clean the internal optics with glass cleaner and a soft cloth every 30-60 days.
5. Always be sure to dry all parts completely before plugging the unit back in.

Saber Spot WW

Trouble Shooting

Trouble Shooting: Listed below are a few common problems that you may encounter, with solutions.

No light output in WW Dimmer Mode;

1. Be sure the strobe setting is set to value 255.

MANUFACTURER'S LIMITED WARRANTY

- A. ADJ Products, LLC hereby warrants, to the original purchaser, ADJ Products, LLC products to be free of manufacturing defects in material and workmanship for a prescribed period from the date of purchase (see specific warranty period on reverse). This warranty shall be valid only if the product is purchased within the United States of America, including possessions and territories. It is the owner's responsibility to establish the date and place of purchase by acceptable evidence, at the time service is sought.
- B. For warranty service you must obtain a Return Authorization number (RA#) before sending back the product—please contact ADJ Products, LLC Service Department at 800-322-6337. Send the product only to the ADJ Products, LLC factory. All shipping charges must be pre-paid. If the requested repairs or service (including parts replacement) are within the terms of this warranty, ADJ Products, LLC will pay return shipping charges only to a designated point within the United States. If the entire instrument is sent, it must be shipped in its original package. No accessories should be shipped with the product. If any accessories are shipped with the product, ADJ Products, LLC shall have no liability whatsoever for loss of or damage to any such accessories, nor for the safe return thereof.
- C. This warranty is void if the serial number has been altered or removed; if the product is modified in any manner which ADJ Products, LLC concludes, after inspection, affects the reliability of the product; if the product has been repaired or serviced by anyone other than the ADJ Products, LLC factory unless prior written authorization was issued to purchaser by ADJ Products, LLC; if the product is damaged because not properly maintained as set forth in the instruction manual.
- D. This is not a service contract, and this warranty does not include maintenance, cleaning or periodic check up. During the period specified above, ADJ Products, LLC will replace defective parts at its expense with new or refurbished parts, and will absorb all expenses for warranty service and repair labor by reason of defects in material or workmanship. The sole responsibility of ADJ Products, LLC under this warranty shall be limited to the repair of the product, or replacement thereof, including parts, at the sole discretion of ADJ Products, LLC. All products covered by this warranty were manufactured after August 15, 2012, and bear indentifying marks to that effect.
- E. ADJ Products, LLC reserves the right to make changes in design and/or improvements upon its products without any obligation to include these changes in any products theretofore manufactured.

No warranty, whether expressed or implied, is given or made with respect to any accessory supplied with products described above. Except to the extent prohibited by applicable law, all implied warranties made by ADJ Products, LLC in connection with this product, including warranties of merchantability or fitness, are limited in duration to the warranty period set forth above. And no warranties, whether expressed or implied, including warranties of merchantability or fitness, shall apply to this product after said period has expired. The consumer's and/or Dealer's sole remedy shall be such repair or replacement as is expressly provided above; and under no circumstances shall ADJ Products, LLC be liable for any loss or damage, direct or consequential, arising out of the use of, or inability to use, this product.

This warranty is the only written warranty applicable to ADJ Products, LLC Products and supersedes all prior warranties and written descriptions of warranty terms and conditions heretofore published.

MANUFACTURER'S LIMITED WARRANTY PERIODS:

- **Non L.E.D. Lighting Products = 1-year (365 days) Limited Warranty** (Such as: Special Effect Lighting, Intelligent Lighting, UV lighting, Strobes, Fog Machines, Bubble Machines, Mirror Balls, Par Cans, Trussing, Lighting Stands etc. excluding LED and lamps)
- **Laser Products = 1 Year (365 Days) Limited Warranty** (excluding laser diodes which have a 6 month limited warranty)
- **L.E.D. Products = 2-year (730 days) Limited Warranty** (excluding batteries which have a 180 day limited warranty). **Note: 2 Year Warranty only applies to purchases within the United States.**
- **StarTec Series = 1 Year Limited Warranty** (excluding batteries which have a 180 day limited warranty).
- **ADJ DMX Controllers = 2 Year (730 Days) Limited Warranty**

Saber Spot WW**Specifications**

Model:	Saber Spot WW
Voltage:	100~240V, 50/60Hz
LEDs:	1 x 15W WW LED
LED Life:	10,000 Hrs.
Beam Angle:	4 Degrees 10 Degrees (Frost Filter 1) 45 Degrees (Frost Filter 2)
Power Consumption:	15W
PowerCon Daisy Chain:	36 Fixtures Max. (110V) 65 Fixtures Max. (240V)
Dimensions:	6.7”(L) x 5.3”(W) x 8.5”(H) 170 x 135 x 215mm
Weight:	2.6 Lbs. / 1.2 kgs.
Colors:	WW
Duty Cycle:	None
DMX:	3 DMX Channel Modes: 1/2/4
Sound Active:	No
Working Position:	Any Safe, Secure Position
Warranty:	2 Year (730 days)

Please Note: Specifications and improvements in the design of this unit and this manual are subject to change without any prior written notice.

Auto Sensing Voltage: This fixture contains a automatic voltage switch, which will auto sense the voltage when it is plugged into the power source.

ADJ Products, LLC
6122 S. Eastern Ave. Los Angeles, CA 90040 USA
Tel: 323-582-2650 / Fax: 323-725-6100
Web: www.adj.com / E-mail: info@americandj.com

A.D.J. Supply Europe B.V.
Junostraat 2
6468 EW Kerkrade
The Netherlands

Follow Us On:



facebook.com/americandj
twitter.com/americandj
youtube.com/adjlighting

service@adjgroup.eu / www.adj.eu
Tel: +31 45 546 85 00 / Fax: +31 45 546 85 99