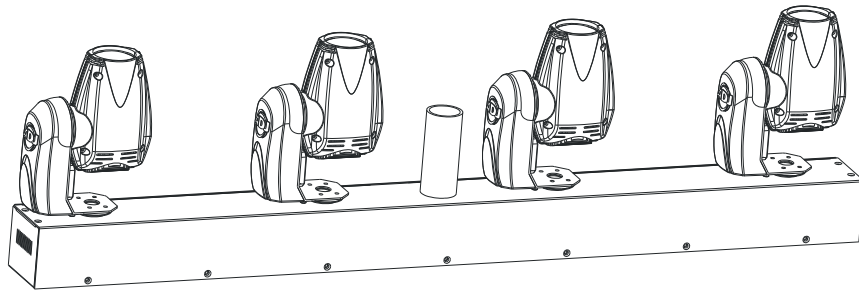


# ADJ

## EVENT BAR PRO



## User Instructions

©2013 ADJ Products, LLC all rights reserved. Information, specifications, diagrams, images, and instructions herein are subject to change without notice. ADJ Products, LLC logo and identifying product names and numbers herein are trademarks of ADJ Products, LLC. Copyright protection claimed includes all forms and matters of copyrightable materials and information now allowed by statutory or judicial law or hereinafter granted. Product names used in this document may be trademarks or registered trademarks of their respective companies and are hereby acknowledged. All non-ADJ Products, LLC brands and product names are trademarks or registered trademarks of their respective companies.

**ADJ Products, LLC** and all affiliated companies hereby disclaim any and all liabilities for property, equipment, building, and electrical damages, injuries to any persons, and direct or indirect economic loss associated with the use or reliance of any information contained within this document, and/or as a result of the improper, unsafe, insufficient and negligent assembly, installation, rigging, and operation of this product.

Europe Energy Saving Notice

Energy Saving Matters (EuP 2009/125/EC)

Saving electric energy is a key to help protecting the environment. Please turn off all electrical products when they are not in use. To avoid power consumption in idle mode, disconnect all electrical equipment from power when not in use. Thank you!

## Event Bar Pro

## General Information

**Unpacking:** Thank you for purchasing the Event Bar Pro by ADJ Products, LLC. Every Event Bar Pro has been thoroughly tested and has been shipped in perfect operating condition. Carefully check the shipping carton for damage that may have occurred during shipping. If the carton appears to be damaged, carefully inspect your fixture for any damage and be sure all equipment necessary to operate the unit has arrived intact. In the event damage has been found or parts are missing, please contact our toll free customer support number for further instructions. Please do not return this unit to your dealer without contacting customer support first.

**Introduction:** The Event Bar Pro is DMX intelligent 4-head moving pinspot LED fixture. The Event Bar Pro has 3 DMX Modes; 1 Channel DMX Mode, 12 Channel Mode, and 14 Channel Mode. The fixture has three operating modes; sound active mode, show mode, or DMX controlled. The Event Bar Pro can only be run as a stand alone unit or in Master-Slave configuration. This unit is suitable for theaters, studios, retail stores, and other similar locations. *For best results use fog or special effects smoke to enhance the light projections.*

**Customer Support:** ADJ Products, LLC provides a toll free customer support line, to provide help and to answer any question should you encounter problems during your set up or initial operation. You may also visit us on the web at [www.adj.com](http://www.adj.com) for any comments or suggestions. Service Hours are Monday through Friday 8:00 a.m. to 4:30 p.m. Pacific Standard Time.

Voice: (323) 582-3322

Fax: (323) 832-9142

E-mail: [support@americandj.com](mailto:support@americandj.com)

**Warning!** To prevent or reduce the risk of electrical shock or fire, do not expose this unit to rain or moisture.

**Warning!** *This may cause severe eye damage. Avoid looking directly into the light source at all times!*

## Event Bar Pro

## General Instructions

To optimize the performance of this product, please read these operating instructions carefully to familiarize yourself with the basic operations of this unit. These instructions contain important safety information regarding the use and maintenance of this unit. Please keep this manual with the unit, for future reference.

## Event Bar Pro

## Features

- 5 DMX Channel Modes; 2 Channel Mode, 17 Channel Mode, 20 Channel Mode, 22 Channel Mode, & 25 Channel Mode.
- 3 Operating Modes - Show Mode, Sound Active & DMX Control
- 8 Built-In Shows
- UC3 Controller Compatible (Sold Separately)
- Digital Display for Address and Function Setting
- Power Cord Daisy Chain (See page 22)
- Omega Bracket for Truss Mounting
- Built-In Mount for a lighting stand (Stand Sold Separately)

## Event Bar Pro

## Warranty Registration

The Event Bar Pro carries a 2 year (730 days) limited warranty. Please fill out the enclosed warranty card to validate your purchase and warranty. You may also register your product online at [www.adj.com](http://www.adj.com). All returned service items whether under warranty or not, must be freight pre-paid and accompany a return authorization (R.A.) number. If the unit is under warranty you must provide a copy of your proof of purchase invoice. Please contact ADJ customer support for a R.A. number.

## Event Bar Pro

## Handling Precautions

**Caution!** There are no user serviceable parts inside this unit. Do not attempt any repairs yourself, doing so will void your manufactures warranty. In the unlikely event your unit may require service please contact ADJ Products, LLC.

*During operation the housing may become hot. Avoid touching the unit with bare hands while in use.*

*ADJ Products, LLC will not accept any liability for any resulting damages caused by the non-observance of this manual or any unauthorized modification to this unit.*

**For Your Own Personal Safety, Please Read and Understand This Manual Completely Before You Attempt To Install Or Operate This Unit!**

- To reduce the risk of electrical shock or fire, do not expose this unit rain or moisture
- Do not spill water or other liquids into or on to your unit.
- Do not attempt to operate this unit if the power cord has been frayed or broken.
- Do not attempt to remove or break off the ground prong from the electrical cord. This prong is used to reduce the risk of electrical shock and fire in case of an internal short.
- Disconnect from main power before making any type of connection.
- Do not remove the cover under any conditions. There are no user serviceable parts inside.
- Never operate this unit when it's cover is removed.
- Always be sure to mount this unit in an area that will allow proper ventilation. Allow about 6" (15cm) between this device and a wall.
- Do not attempt to operate this unit, if it becomes damaged.
- This unit is intended for indoor use only, use of this product outdoors voids all warranties.
- Always mount this unit in safe and stable matter.
- Power-supply cords should be routed so that they are not likely to be walked on or pinched by items placed upon or against them, paying particular attention to cords at plugs, convenience receptacles, and the point where they exit from the appliance.
- Cleaning -The fixture should be cleaned only as recommended by the manufacturer. See page 23 for cleaning details.
- Heat -This fixture should be situated away from heat sources such as radiators, heat registers, stoves, or other appliances (including amplifiers) that produce heat.
- The fixture should be serviced by qualified service personnel when:
  - A. Objects have fallen, or liquid has been spilled into the appliance.
  - B. The appliance has been exposed to rain or water.
  - C. The appliance does not appear to operate normally or exhibits a marked change in performance.

**Power Supply:** The ADJ Event Bar Pro contains an automatic voltage switch, which will auto sense the voltage when it is plugged into the power source. With this switch there is no need to worry about the correct power voltage, this unit can be plugged in anywhere.

**DMX-512:** *DMX is short for Digital Multiplex. This is a universal protocol used by most lighting and controller manufactures as a form of communication between intelligent fixtures and controllers. A DMX controller sends DMX data instructions from the controller to the fixture. DMX data is sent as serial data that travels from fixture to fixture via the DATA "IN" and DATA "OUT" XLR terminals located on all DMX fixtures (most controllers only have a DATA "OUT" terminal).*

**DMX Linking:** DMX is a language allowing all makes and models of different manufactures to be linked together and operate from a single controller, as long as all fixtures and the controller are DMX compliant. To ensure proper DMX data transmission, when using several DMX fixtures try to use the shortest cable path possible. The order in which fixtures are connected in a DMX line does not influence the DMX addressing. For example; a fixture assigned a DMX address of 1 may be placed anywhere in a DMX line, at the beginning, at the end, or anywhere in the middle. When a fixture is assigned a DMX address of 1, the DMX controller knows to send DATA assigned to address 1 to that unit, no matter where it is located in the DMX chain.

**Data Cable (DMX Cable) Requirements (For DMX and Master/Slave Operation):**

The Event Bar Pro has 5 DMX channel modes; 2 channel mode, 17 channel mode, 20 channel mode, 22 channel mode, & 25 channel mode. The DMX address is set electronically using the controls on the rear of the bar. Your unit and your DMX controller require a approved DMX-512 110 Ohm Data cable for data input and data output. We recommend Accu-Cable DMX cables. If you are making your own cables, be sure to use standard 110-120 Ohm shielded cable (This cable may be purchased at almost all professional sound and lighting stores). Your cables should be made with a male and female XLR connector on either end of the cable. Also remember that DMX cable must be daisy chained and cannot be split.



Figure 1

**Notice:** Be sure to follow figures two and three when making your own cables. Do not use the ground lug on the XLR connector. Do not connect the cable's shield conductor to the ground lug or allow the shield conductor to come in contact with the XLR's outer casing. Grounding the shield could cause a short circuit and erratic behavior.

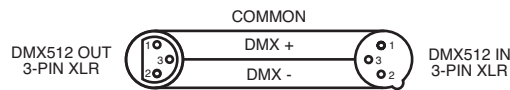


Figure 2



Figure 3

XLR Pin Configuration
Pin 1 = Ground
Pin 2 = Data Compliment (negative)
Pin 3 = Data True (positive)

**Special Note: Line Termination.** When longer runs of cable are used, you may need to use a terminator on the last unit to avoid erratic behavior. A terminator is a 90-120 ohm 1/4 watt resistor which is connected between pins 2 and 3 of a male XLR connector (DATA + and DATA -). This unit is inserted in the female XLR connector of the last unit in your daisy chain to terminate the line. Using a cable terminator (ADJ part number Z-DMX/T) will decrease the possibilities of erratic behavior.



Termination reduces signal errors and avoids signal transmission problems and interference. It is always advisable to connect a DMX terminal, (Resistance 120 Ohm 1/4 W) between PIN 2 (DMX-) and PIN 3 (DMX +) of the last fixture.

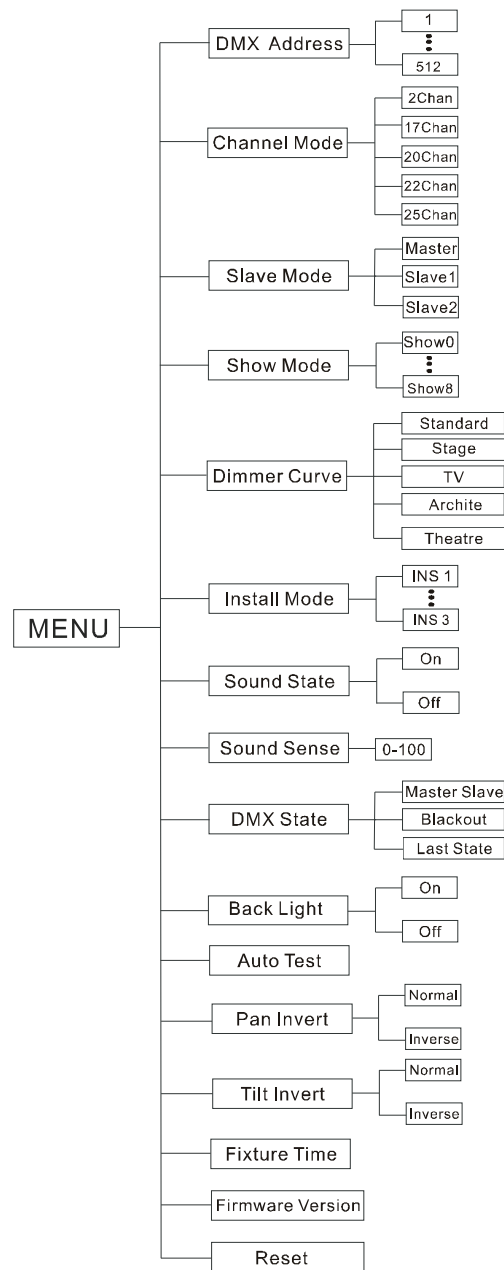
Figure 4

**5-Pin XLR DMX Connectors.** Some manufactures use 5-pin XLR connectors for DATA transmission in place of 3-pin. 5-pin XLR fixtures may be implemented in a 3-pin XLR DMX line. When inserting standard 5-pin XLR connectors in to a 3-pin line a cable adaptor must be used, these adaptors are readily available at most electric stores. The chart below details a proper cable conversion.

3-Pin XLR to 5-Pin XLR Conversion		
Conductor	3-Pin XLR Female (Out)	5-Pin XLR Male (In)
Ground/Shield	Pin 1	Pin 1
Data Compliment (- signal)	Pin 2	Pin 2
Data True (+ signal)	Pin 3	Pin 3
Not Used		Pin 4 - Do Not Use
Not Used		Pin 5 - Do Not Use

The Event Bar Pro is fully operational in two different mounting positions, hanging upside-down from a ceiling or trussing, or attached to a sturdy tripod stand. The unit should be mounted using a mounting clamp (not provided), affixing it to the mounting bracket that is provided with the unit. Always ensure that the unit is firmly fixed to avoid vibration and slipping while operating. Always ensure that the structure to which you are attaching the unit is secure and is able to support a weight of 10 times the unit's weight. Also, always use a safety cable that can hold 12 times the weight of the unit when installing the fixture.

The equipment must be installed by a professional, and it must be installed in a place where it is out of the reach of people's grasp.



## DMX Address - Set the DMX Address -

1. Press the MENU button until “DMX Address” is displayed, press ENTER.
2. “X” will now be displayed, “X” represents the displayed address. Press the UP or DOWN buttons to find your desired address.
3. Press ENTER to confirm, and then press and hold the MENU button for at least three seconds to assign.

## Channel Mode - This will let you select your desired DMX Channel mode.

1. Press the MENU button until “Channel Mode” is displayed, press ENTER.
2. “X Chan” will now be displayed, “X” represents the displayed DMX channel mode. Press the UP or DOWN buttons to find your desired Channel mode.
3. Press ENTER to confirm.

## Slave Mode - This will let you set your unit as a master or slave in a master/slave configuration.

1. Press the MENU button until “Slave Mode” is displayed, press ENTER. Either “Master”, “Slave 1” or “Slave 2” will be displayed.
2. Press the UP or DOWN buttons until your desired setting is displayed, and press ENTER to confirm.

**NOTE:** In a Master/Slave configuration you can set one fixture to Master and then set the next fixture to “Slave 2”, the fixtures will now have contrast movement to each other.



### Show Mode - Show modes 0-8 (Factory programs). Show mode can run with or without sound active mode active.

1. Press the MENU button until “Show Mode” is displayed, press ENTER.
2. “Show X” will now be displayed, “X” representing a number between 0-8. Programs 1-8 are factory programs, while “Show 0” is random mode. Press the UP or DOWN buttons to find your desired show.

### Dimmer Curve - In this mode you can select the dimmer curve. See page 21 for the different dimmer curve modes.

1. Press the MENU button until “Dimmer Curve” is displayed, press ENTER.
2. The current dimmer mode will be displayed.
3. Press the UP or DOWN buttons to find your desired dimmer mode and press ENTER to confirm.

### Install Mode - This mode allows you to control the beam spread of the fixture.

1. Press the MENU button until “Install Mode” is displayed, press ENTER. Either “INS 1”, “INS 2” or “INS 3” will be displayed.
  - INS 1 - Long range beam (ceiling hanging)
  - INS 2 - Short range beam (ceiling hanging)
  - INS 3 - Front range beam (for truss or wall mounting)
2. Press the UP or DOWN buttons until your desired installation setting is displayed, and press ENTER to confirm.

### Sound State - In this mode the unit will run in sound

### active mode.

1. Press the MENU button until “Sound State” is displayed, press ENTER.
2. Either “On” or “Off” will now be displayed. Use the UP or DOWN buttons to toggle between “On” and “Off”.
3. Press ENTER to confirm your selection, then press and hold the MENU button to activate.

### Sound Sense - In this mode you can adjust the sound sensitivity of the sound active mode.

1. Press the MENU button until “Sound Sense” is displayed, press ENTER.
2. Press the UP or DOWN buttons to adjust the sensitivity level. The sensitivity level can be adjusted between 0 (the lowest) and 100 (most sensitive).
3. Press ENTER to set your desired level.

### DMX State - This mode can be used as a precaution mode, that in case the DMX signal is lost, the operating mode chosen in the setup is the running mode the fixture will go into when the DMX signal is lost. You can also set this as the operating mode you would like the unit to return to when power is applied.

1. Press the MENU button until “DMX State” is displayed, press ENTER.
2. Either “Master/Slave”, “Blackout”, or “Last State” will be displayed. Choose an operating mode you would like the unit to start up in when power is applied or the DMX signal is lost.
  - Master/Slave - If the DMX signal is lost or power is applied, the unit will automatically go into Master Slave mode.

- Blackout - If the DMX signal is lost or power is applied, the unit will automatically go into stand by mode.
  - Last State - If the DMX signal is lost the fixture will stay in the last DMX set up. If power is applied and this mode is set, the unit will automatically go into the last DMX set up.
3. Press ENTER to confirm your desired set up.

### **Back Light - With this function you can make the backlight automatically turn off after one minute.**

1. Press the MENU button until “Back Light” is displayed, press ENTER.
2. Either “ON” or “OFF” will now be displayed. Press the UP or DOWN buttons to select “ON” to keep the backlight on at all times, or “OFF” to allow the backlight to turn off after 2 minutes. Press any button to turn the backlight on again.
3. Press ENTER to confirm.

### **Auto Test - This function will run a self test program.**

1. Press the MENU button until “Auto Test” is displayed, press ENTER.
2. The fixture will now run a self test. Press the MENU button to exit.

### **Pan Invert - Pan Inversion**

1. Press the MENU button until “Pan Invert” is displayed, press ENTER. Either “Normal” or “Inverse” will be displayed.
2. To activate the Pan inversion press the UP or DOWN buttons until “Inverse” is displayed, press ENTER to confirm. To deactivate Pan inversion, select “Normal” and press Enter.

### **Tilt Invert - Tilt Inversion**

1. Press the MENU button until “Tilt Invert” is displayed, press ENTER. Either “Normal” or “Inverse” will be displayed.
2. To activate the Tilt inversion press the UP or DOWN buttons until “Inverse” is displayed, press ENTER to confirm. To deactivate Tilt inversion, select “Normal” and press Enter.

### **Fixture Time - With this function you can display the running time of the unit.**

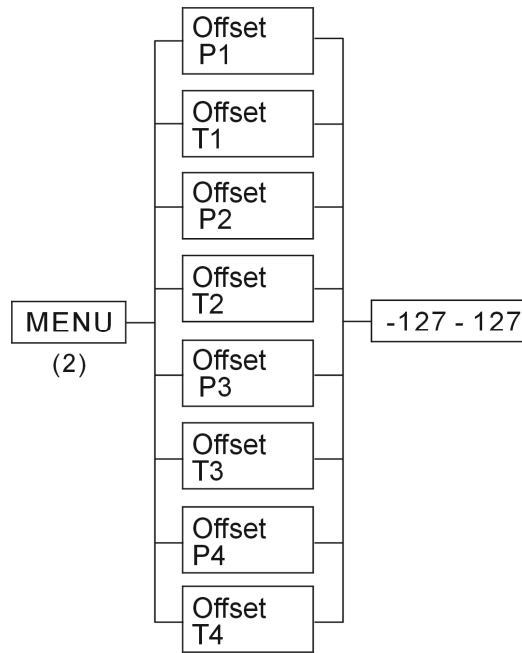
1. Press the MENU button until “Fixture Time” is displayed, press ENTER.
2. The running time of the fixture will now be displayed. Press MENU to exit.

### **Firmware Version - This will display the software version**

1. Press the MENU button until “Firmware Version” is displayed. Press the ENTER button and the software version will be displayed.
2. Press the MENU button to leave this function.

### **Reset - Use this function to reset the unit.**

1. Press the MENU button until “Reset” is displayed, press ENTER.
2. The fixture will now reset.



**With this function you can adjust and set the fixtures home position.**

1. Press the ENTER button for at least 3 seconds to enter into offset mode.
2. Press the UP or DOWN buttons until you find the moving head you would like to adjust, and press ENTER. The display will begin to flash.
3. Press the UP or DOWN buttons to adjust to your desired home position. Once you have found your desired position press the ENTER button to set and save, or press the MENU button to return to return to offset functions without any changes. If you do not press any buttons for 8 seconds the fixture will return to the offset functions automatically.

**Universal DMX Control:** This function allows you to use a Elation® universal DMX-512 controller to create unique programs tailored to your individual needs.

1. The Event Bar Pro has five different DMX channel modes. To set the DMX channel mode see page 9. See pages 16-21 for the DMX modes & traits.
2. To control your fixture in DMX mode, follow the set-up procedures on pages 5-7 as well as the set-up specifications that are included with your DMX controller.
3. Use the controller's faders to control the various DMX fixture traits.
4. This will allow you to create your own programs.
5. Follow the instructions on page 9 to set the DMX address.
6. For longer cable runs (more than a 100 feet) use a terminator on the last fixture.
7. For help operating in DMX mode consult the manual included with your DMX controller.

**Master-Slave Configuration:** This function will allow you to link up to 16 units together and operate without a controller. The units will be sound activated. In Master-Slave operation one unit will act as the controlling unit and the others will react to the controlling units programs. Any unit can act as a Master or as a Slave.

1. Using approved DMX data cables, daisy chain your units together via the XLR connector on the rear of the units. Remember the Male XLR connector is the input and the Female XLR connector is the output. The first unit in the chain (master) will use the female XLR connector only - The last unit in the chain will use the male XLR connector only. For longer cable runs we suggest a terminator at the last fixture.
2. Set the Master unit to the Master setting following the instructions on page 9. After you have designated the Master, set the unit to your desired operating mode.
3. On the slave units press the MENU button until "Slave Mode" is displayed, and Press ENTER. Choose either "Slave 1" or "Slave 2" and press ENTER. See page 9 for more info.
4. The slave units will now follow the Master unit.



**Event Bar Pro UC3 Control**

Blackout	Blackout the unit	
Function	1. Synchronous white strobe 2. ASynchronous white strobe 3. Synchronous white strobe by sound	Select show 1-8
Mode	Sound 1 (LED OFF)	Show (LED ON)

**Event Bar Pro 2 Channel Mode**

Channel	Value	Function
1	0 - 7	SHOWS BLACKOUT
	8 - 37	SHOW 1
	38 - 67	SHOW 2
	68 - 97	SHOW 3
	98 - 127	SHOW 4
	128 - 157	SHOW 5
	158 - 187	SHOW 6
	188 - 217	SHOW 7
	218 - 247	SHOW 8
	248 - 254	RANDOM SHOW
	255	SOUND ACTIVE
	2	0 - 255
0 - 255		SHOW SPEED SLOW - FAST
0 - 255		SOUND SENSITIVITY LEAST - MOST

When the Channel 1 values are between 8 - 254, Channel 2 will control the Show Speed. When the Channel 1 value is 255, Channel 2 will control the sound sensitivity.

**Event Bar Pro 17 Channel Mode**

Channel	Value	Function
1	0 - 255	PAN (HEAD 1)
2	0 - 255	PAN FINE (HEAD 1)
3	0 - 255	TILT (HEAD 1)
4	0 - 255	TILT FINE (HEAD 1)
5	0 - 255	PAN (HEAD 2)
6	0 - 255	PAN FINE (HEAD 2)
7	0 - 255	TILT (HEAD 2)
8	0 - 255	TILT FINE (HEAD 2)
9	0 - 255	PAN (HEAD 3)
10	0 - 255	PAN FINE (HEAD 3)
11	0 - 255	TILT (HEAD 3)
12	0 - 255	TILT FINE (HEAD 3)
13	0 - 255	PAN (HEAD 4)
14	0 - 255	PAN FINE (HEAD 4)
15	0 - 255	TILT (HEAD 4)
16	0 - 255	TILT FINE (HEAD 4)
17	0 - 255	MASTER DIMMER 0% - 100%

Event Bar Pro		20 Channel Mode
Channel	Value	Function
1	0 - 255	PAN (HEAD 1)
2	0 - 255	PAN FINE (HEAD 1)
3	0 - 255	TILT (HEAD 1)
4	0 - 255	TILT FINE (HEAD 1)
5	0 - 255	HEAD 1 DIMMER 0% - 100%
6	0 - 255	PAN (HEAD 2)
7	0 - 255	PAN FINE (HEAD 2)
8	0 - 255	TILT (HEAD 2)
9	0 - 255	TILT FINE (HEAD 2)
10	0 - 255	HEAD 2 DIMMER 0% - 100%
11	0 - 255	PAN (HEAD 3)
12	0 - 255	PAN FINE (HEAD 3)
13	0 - 255	TILT (HEAD 3)
14	0 - 255	TILT FINE (HEAD 3)
15	0 - 255	HEAD 3 DIMMER 0% - 100%
16	0 - 255	PAN (HEAD 4)
17	0 - 255	PAN FINE (HEAD 4)
18	0 - 255	TILT (HEAD 4)
19	0 - 255	TILT FINE (HEAD 4)
20	0 - 255	HEAD 4 DIMMER 0% - 100%

Event Bar Pro		22 Channel Mode
Channel	Value	Function
1	0 - 255	PAN (HEAD 1)
2	0 - 255	PAN FINE (HEAD 1)
3	0 - 255	TILT (HEAD 1)
4	0 - 255	TILT FINE (HEAD 1)
5	0 - 255	HEAD 1 DIMMER 0% - 100%
6	0 - 255	PAN (HEAD 2)
7	0 - 255	PAN FINE (HEAD 2)
8	0 - 255	TILT (HEAD 2)
9	0 - 255	TILT FINE (HEAD 2)
10	0 - 255	HEAD 2 DIMMER 0% - 100%
11	0 - 255	PAN (HEAD 3)
12	0 - 255	PAN FINE (HEAD 3)
13	0 - 255	TILT (HEAD 3)
14	0 - 255	TILT FINE (HEAD 3)
15	0 - 255	HEAD 3 DIMMER 0% - 100%
16	0 - 255	PAN (HEAD 4)
17	0 - 255	PAN FINE (HEAD 4)
18	0 - 255	TILT (HEAD 4)
19	0 - 255	TILT FINE (HEAD 4)
20	0 - 255	HEAD 4 DIMMER 0% - 100%
21	0 - 255	MASTER DIMMER 0% - 100%
22	0 1 - 5 6 - 255	STROBE OPEN RESET STROBING SLOW - FAST

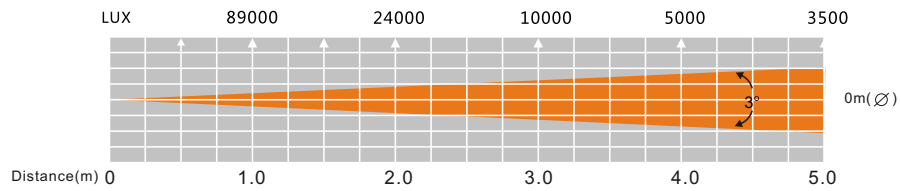
Event Bar Pro		25 Channel Mode
Channel	Value	Function
1	0 - 255	PAN (HEAD 1)
2	0 - 255	PAN FINE (HEAD 1)
3	0 - 255	TILT (HEAD 1)
4	0 - 255	TILT FINE (HEAD 1)
5	0 - 255	HEAD 1 DIMMER 0% - 100%
6	0 - 255	PAN (HEAD 2)
7	0 - 255	PAN FINE (HEAD 2)
8	0 - 255	TILT (HEAD 2)
9	0 - 255	TILT FINE (HEAD 2)
10	0 - 255	HEAD 2 DIMMER 0% - 100%
11	0 - 255	PAN (HEAD 3)
12	0 - 255	PAN FINE (HEAD 3)
13	0 - 255	TILT (HEAD 3)
14	0 - 255	TILT FINE (HEAD 3)
15	0 - 255	HEAD 3 DIMMER 0% - 100%
16	0 - 255	PAN (HEAD 4)
17	0 - 255	PAN FINE (HEAD 4)
18	0 - 255	TILT (HEAD 4)
19	0 - 255	TILT FINE (HEAD 4)
20	0 - 255	HEAD 4 DIMMER 0% - 100%
21	0 - 255	MASTER DIMMER 0% - 100%
22	0 1 - 5 6 - 255	STROBE OPEN RESET STROBING SLOW - FAST
23	0 - 7 8 - 37 38 - 67 68 - 97 98 - 127 128 - 157 158 - 187 188 - 217 218 - 247 248 - 254 255	SHOWS BLACKOUT SHOW 1 SHOW 2 SHOW 3 SHOW 4 SHOW 5 SHOW 6 SHOW 7 SHOW 8 RANDOM SHOW SOUND ACTIVE

Event Bar Pro		25 Channel Mode
Channel	Value	Function
24	0 - 255 0 - 255	SHOW SPEED/SOUND SENSITIVITY SHOW SPEED SLOW - FAST SOUND SENSITIVITY LEAST - MOST
25	0 - 20 21 - 40 41 - 60 61 - 80 81 - 100 101 - 255	DIMMER CURVES STANDARD STAGE TV ARCHITECTURAL THEATRE DEFAULT TO UNIT CURVE SETTING

When the Channel 23 values are between 8 - 254, Channel 24 will control the Show Speed. When the Channel 255 value is 255, Channel 24 will control the sound sensitivity.

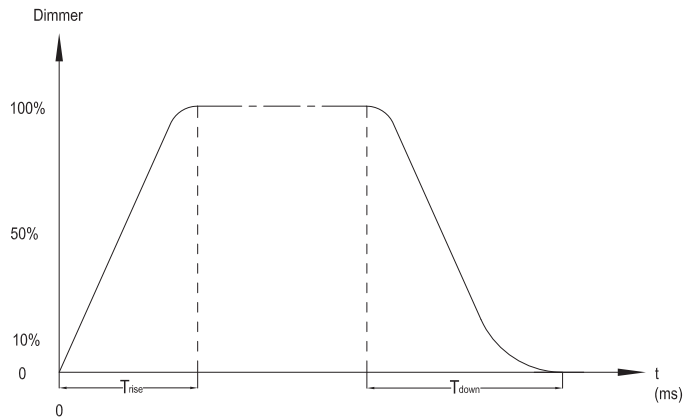
## Event Bar Pro

## Photometric Chart



## Event Bar Pro

## Dimmer Curve Chart



Ramp Effect	OS (Fade Time)		1S (Fade Time)	
	Trise (ms)	Tdown (ms)	Trise (ms)	Tdown (ms)
Standard	0	0	0	0
Stage	780	1100	1540	1660
TV	1180	1520	1860	1940
Architectural	1380	1730	2040	2120
Theatre	1580	1940	2230	2280

## Event Bar Pro

## Power Cord Daisy Chain

**With this feature you can connect the fixtures to one another using the IEC input and output sockets. The quantity that can be connected is 5 fixtures maximum for 120V, and 8 fixtures maximum for 240V. After the maximum fixtures has been reached you will need to use a new power outlet. They must be the same fixtures. DO NOT mix fixtures.**

## Event Bar Pro

## Fuse Replacement

First unplug the power. Locate and remove the unit's power cord. Once the cord has been removed located the fuse holder located inside the power socket. Insert a flat-head screw driver into the power socket and gently pry out the fuse holder. Remove the bad fuse and replace with a new one. The fuse holder has a built-in socket for a spare fuse be sure not to confuse the spare fuse with active fuse.

## Event Bar Pro

## Cleaning

**Fixture Cleaning:** Due to fog residue, smoke, and dust cleaning the internal and external optical lenses and mirror should be carried out periodically to optimize light output. Cleaning frequency depends on the environment in which the fixture operates (I.e. smoke, fog residue, dust, dew). In heavy club use we recommend cleaning on a monthly basis. Periodic cleaning will ensure longevity, and crisp output.

1. Use normal glass cleaner and a soft cloth to wipe down the outside casing.
2. Use a brush to wipe down the cooling vents and fan grill.
3. Clean the external optics and mirror with glass cleaner and a soft cloth every 20 days.
4. Clean the internal optics with glass cleaner and a soft cloth every 30-60 days.
5. Always be sure to dry all parts completely before plugging the unit back in.

## Event Bar Pro

## Trouble Shooting

**Trouble Shooting:** Listed below are a few common problems that you may encounter, with solutions.

### **No light output from the unit;**

1. Be sure the external fuse has not blown. The fuse is located on the rear panel of the unit.
2. Be sure the fuse holder is completely and properly seated.

## MANUFACTURER'S LIMITED WARRANTY

- A. ADJ Products, LLC hereby warrants, to the original purchaser, ADJ Products, LLC products to be free of manufacturing defects in material and workmanship for a prescribed period from the date of purchase (see specific warranty period on reverse). This warranty shall be valid only if the product is purchased within the United States of America, including possessions and territories. It is the owner's responsibility to establish the date and place of purchase by acceptable evidence, at the time service is sought.
- B. **For warranty service you must obtain a Return Authorization number (RA#) before sending back the product—please contact ADJ Products, LLC Service Department at 800-322-6337.** Send the product only to the ADJ Products, LLC factory. All shipping charges must be pre-paid. If the requested repairs or service (including parts replacement) are within the terms of this warranty, ADJ Products, LLC will pay return shipping charges only to a designated point within the United States. If the entire instrument is sent, it must be shipped in its original package. No accessories should be shipped with the product. If any accessories are shipped with the product, ADJ Products, LLC shall have no liability whatsoever for loss of or damage to any such accessories, nor for the safe return thereof.
- C. This warranty is void if the serial number has been altered or removed; if the product is modified in any manner which ADJ Products, LLC concludes, after inspection, affects the reliability of the product; if the product has been repaired or serviced by anyone other than the ADJ Products, LLC factory unless prior written authorization was issued to purchaser by ADJ Products, LLC; if the product is damaged because not properly maintained as set forth in the instruction manual.
- D. This is not a service contract, and this warranty does not include maintenance, cleaning or periodic check up. During the period specified above, ADJ Products, LLC will replace defective parts at its expense with new or refurbished parts, and will absorb all expenses for warranty service and repair labor by reason of defects in material or workmanship. The sole responsibility of ADJ Products, LLC under this warranty shall be limited to the repair of the product, or replacement thereof, including parts, at the sole discretion of ADJ Products, LLC. All products covered by this warranty were manufactured after August 15, 2012, and bear indentifying marks to that effect.
- E. ADJ Products, LLC reserves the right to make changes in design and/or improvements upon its products without any obligation to include these changes in any products theretofore manufactured.

No warranty, whether expressed or implied, is given or made with respect to any accessory supplied with products described above. Except to the extent prohibited by applicable law, all implied warranties made by ADJ Products, LLC in connection with this product, including warranties of merchantability or fitness, are limited in duration to the warranty period set forth above. And no warranties, whether expressed or implied, including warranties of merchantability or fitness, shall apply to this product after said period has expired. The consumer's and/or Dealer's sole remedy shall be such repair or replacement as is expressly provided above; and under no circumstances shall ADJ Products, LLC be liable for any loss or damage, direct or consequential, arising out of the use of, or inability to use, this product.

This warranty is the only written warranty applicable to ADJ Products, LLC Products and supersedes all prior warranties and written descriptions of warranty terms and conditions heretofore published.

## MANUFACTURER'S LIMITED WARRANTY PERIODS:

- **Lighting Products = 1-year (365 days) Limited Warranty** (Such as: Special Effect Lighting, Intelligent Lighting, UV lighting, Strobes, Fog Machines, Bubble Machines, Mirror Balls, Par Cans, Trussing, Lighting Stands etc. excluding LEDs and lamps)
- **Laser Products = 90-Day Limited Warranty**
- **L.E.D. Products = 2-year (730 days) Limited Warranty** (excluding motors, PCB boards, and power supplies, which have a 1-year (365 day Limited Warranty) and batteries which have a 180 day limited warranty).

**Event Bar Pro****Specifications**

<b>Model:</b>	<b>Event Bar Pro</b>
<b>Voltage:</b>	100~240V, 50/60Hz
<b>LEDs:</b>	4 x 10W White LEDs
<b>Beam Angle:</b>	5 Degrees
<b>Power Consumption:</b>	85W
<b>Fuse:</b>	7A
<b>Power Cord Daisy Chain:</b>	5 Fixtures Max. (120V) 8 Fixtures Max. (230V)
<b>Dimensions:</b>	40.75"(L) x 3.25"(W) x 10.75"(H) 1033mm x 83mm x 270mm
<b>Weight:</b>	29 Lbs. / 11 kgs.
<b>Colors:</b>	White
<b>Duty Cycle:</b>	None
<b>DMX:</b>	5 DMX Channel Modes: 2 Channel Mode, 17 Channel Mode, 20 Channel Mode, 22 Channel Mode, & 25 Channel Mode
<b>Sound Active:</b>	Yes
<b>Working Position:</b>	Any Safe, Secure Position
<b>Warranty:</b>	2 Year (730 days)

**Please Note:** Specifications and improvements in the design of this unit and this manual are subject to change without any prior written notice.

**Auto Sensing Voltage:** This fixture contains a automatic voltage switch, which will auto sense the voltage when it is plugged into the power source.

ADJ Products, LLC  
6122 S. Eastern Ave. Los Angeles, CA 90040 USA  
Tel: 323-582-2650 / Fax: 323-725-6100  
Web: www.adj.com / E-mail: info@americandj.com

A.D.J. Supply Europe B.V.  
Junostraat 2  
6468 EW Kerkrade  
Netherlands

Follow Us On:



facebook.com/americandj  
twitter.com/americandj  
youtube.com/adjlighting

service@adjgroup.eu / www.adj.eu  
Tel: +31 45 546 85 00 / Fax: +31 45 546 85 99