



Datasheet **PLUTO FRESNEL**



The PlutoFresnel offers a 15° to 60° beam angle without color fringing, wireless and wired DMX control, and an output comparable to a 300W Tungsten light for film, studio, and events. With a built-in battery providing 3 hours of operation on MAX brightness at 80W, it can be extended using the RuntimeExtender. Accessories included are the Fresnel Lens, Barndoor, Airline Tracks, YokeBase, and other Astera accessories like TrackHandle, TrackPin, and standard TVMP Adapter.



Max 20h



Wireless DMX



IP55



App

FEATURES

Built-in battery 2 hours on MAX Runtime

Built-in battery for 2 hours on MAX Runtime.



External Battery Option

Connect RuntimeExtender with V-Mount or Gold Mount battery for additional runtime.



Removable Lens

Slide out Barndoor and Lens to create an Open Source fixture.



Yoke Quick-Release

The light can easily be taken out of its Yoke.



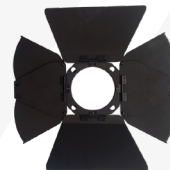
Removable Handle

TrackHandle can be removed or inserted into the Airline Tracks.



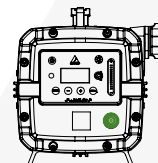
Barndoor

The Barndoor contains a total of 8 leaves, 4 of them can be slid out if needed.



Wired DMX

Data can be added with a Datalink or PowerBox via Power/Data Combination cables.



SPECIFICATIONS

	PlutoFresnel
Order Code	AF80
LED Engine	Titan LED Engine
Colors	RGBMintAmber
Total LED Power	105 W
LED Power Draw	80 W
CRI (Ra)/ TLCI 3200- 6500 K*	≥96
Beam Angle	15° - 60°
Strobe	0 - 25 Hertz
Pixels	1
Battery Runtime	up to 20 hours
Battery Runtime (max. Brightness)	3h
Battery Lifetime	80 % after 400 cycles
DC Input	24 VDC, 80 W
DC Connector	5.5 mm x 2.1 mm
Power Consumption (max.)	80 W
Wired DMX	Yes (via FP3-DTL / PWB-2-86)
CRMX Receiver	Built-in
BluetoothBridge BTB	Built-in
Wireless Protocols	CRMX, UHF, Bluetooth, WIFI, RDM
Wireless Range	CRMX/UHF up to 300 m / 330 yds Bluetooth up to 3 m / 3.3 yds
Infrared Control	Yes
TouchSlider	Yes
Housing Material	Polymer & Metal
IP Rating unwired	IP55 (only with PB15-PLG)
IP Rating wired	IP55 (only with PWB-CAB-0.2/-1.5/-5/-10/-15)
Ambient Operating Temperature	0 - 40 °C / 32 - 104 °F
Weight (with AF80-FL, AF80-BD)	4.637 kg / 10.22 lbs
Weight (with AF80-FL, AF80-BD, AF80-YK, 2x AF80-YKB, AF80-THD)	6.493 kg / 14.31 lbs
Dimensions L x W x H	281.9 mm x 153.5 mm x 161.8 mm / 11.1" x 6.0" x 6.4"
Dimensions L x W x H (with AF80-YK, 2x AF80-YKB)	281.9 mm x 244.7 mm x 323 mm / 11.1" x 9.6" x 12.7"
Mounting Options	4 x AirlineTracks, 1/2" hole, 3/8" thread, 1 x BrickMount (PB15-BMO)

*Typical value

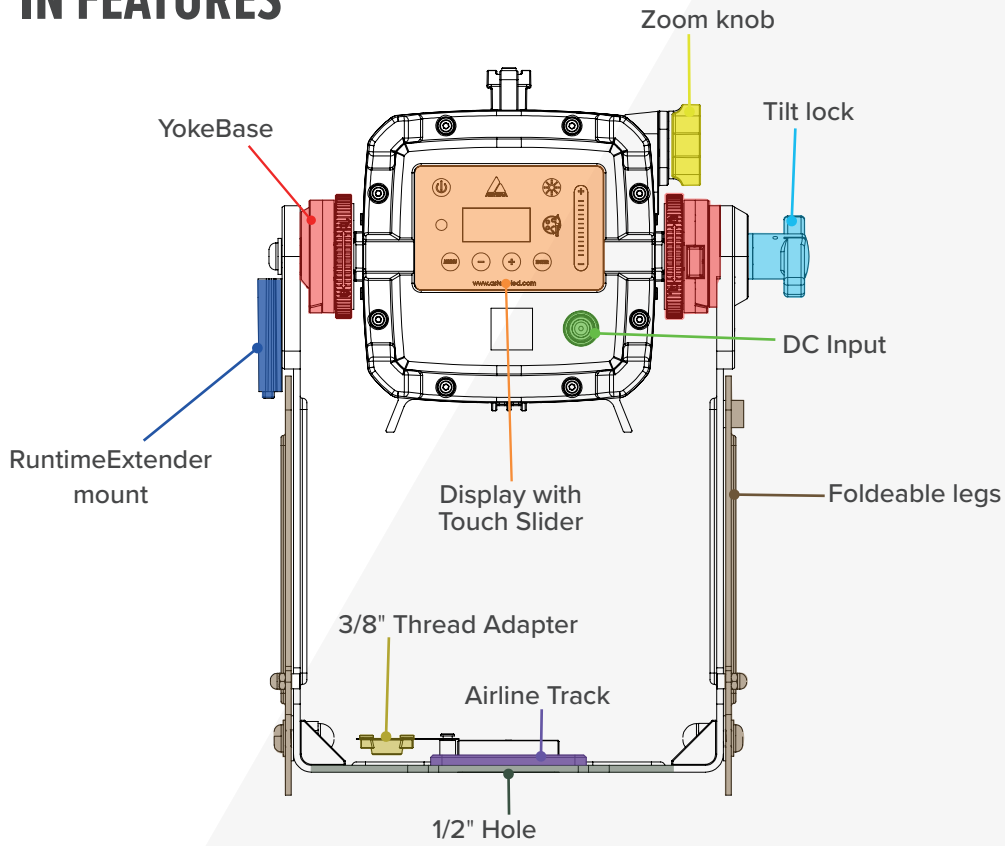
RF CHARACTERISTICS

Wireless Modules	EU: UHF*** (863-870MHz)	USA: UHF (917-922.20MHz)	AUS: UHF (922.30-927.50MHz)	SGP: UHF (920.50-924.50MHz)	KOR: UHF (917.9-921.5MHz)
Modulation	FHSS	FHSS	FHSS	FHSS	FHSS
ERP (Transmitter)	<25mW	<25mW	<25mW	<25mW	<25mW
Channel Count	47	53	53	41	10

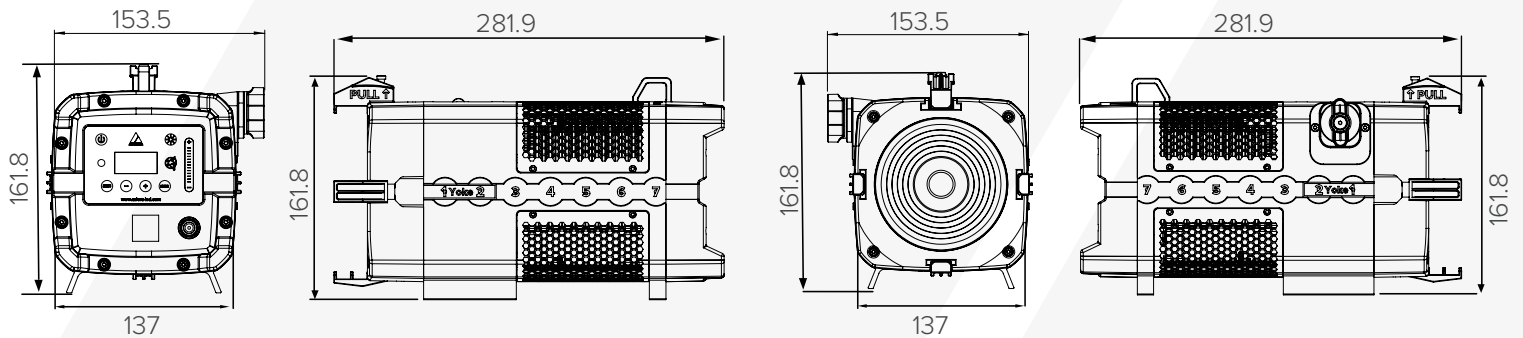
Wireless Modules	RUS: UHF (868.75-869.12MHz)	JPN: UHF (922.80-926.40MHz)	CRMX (2402-2480MHz)	Bluetooth 5.0 LE (2402-2480MHz)	WiFi (2412-2472MHz)
Modulation	FHSS	FHSS	FHSS	FHSS	DSSS, OFDM
ERP (Transmitter)	<25mW	<25mW	-	10mW (BLE)	<100mW
Channel Count	6	19	79	40	13

***General allocation of frequencies for use by short-range radio applications

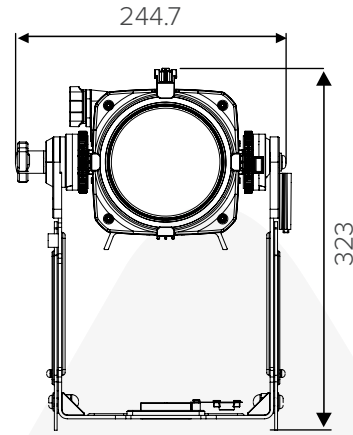
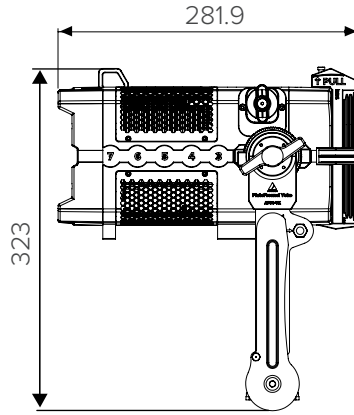
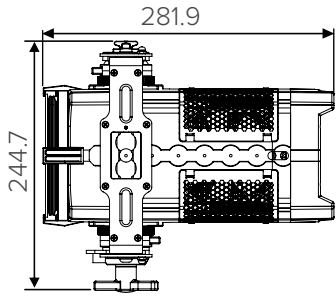
BUILT-IN FEATURES



DRAWINGS WITHOUT ACCESSORIES



DRAWINGS WITH YOKE



INCLUDED ACCESSORIES



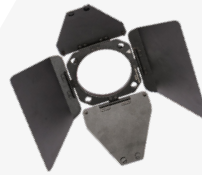
Yoke
AF80-YK



YokeBase
AF80-YKB



Fresnel Lens
AF80-FL



Barndoor
AF80-BD



TrackHandle
AX-THD

OPTIONAL ACCESSORIES

RuntimeExtender
REX1-VM
REX1-GM



V-Mount Gold Mount

Hyperion Power Supply
FP3-CHR



PowerBox 2x86W
PWB-2-86



DataLink
FP1-DTL



**Power / Data
Combination Cable**
PWB-CAB-0.2/1.5/5/10/15



**Extension Cable for
Helios, Titan,
Hyperion Tube**
FP1-EXC



Projection Lens
Coming late 2023



Hyperion Power Supply
FP3-CHR



Charging Case (empty)
AF80-CSE



LeoFresnel Kit
AF80-KIT

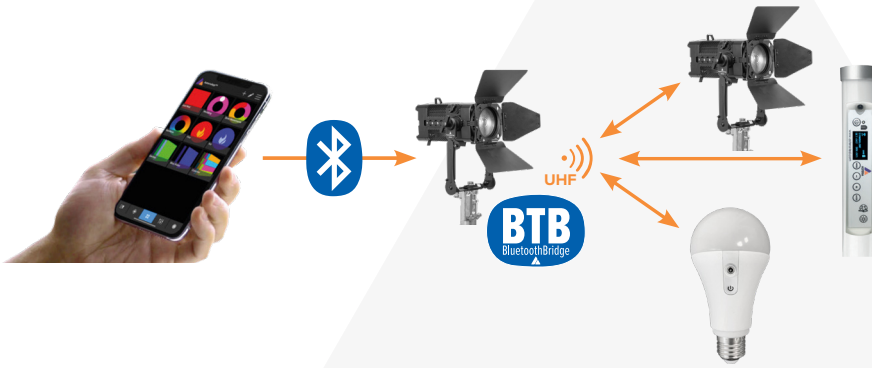


Contents

- 2x PlutoFresnel (AF80)
- 2x Fresnel Lens (AF80-FL)
- 2x Barndoor (AF80-BD)
- 2x Yoke (AF80-YK)
- 4x YokeBase (AF80-YKB)
- 2x TVMP Adapter (AX-TVMP)
- 2x TrackHandle (AX-THD)
- 2x Hyperion Tube Power Supply (FP3-CHR)
- 1x Case (AF80-CSE)

PLUToFRESNEL AS BLUETOOTH BRIDGE

Connect the App directly to a PlutoFresnel via Bluetooth. This light will then transmit commands from the AsteraApp to all other PlutoFresnels and other Astera lights via the UHF band.



TYPICAL SPECTRAS

