

Meet the new face of LED technology

VLX™ Wash luminaire the next generation of solid-state lighting

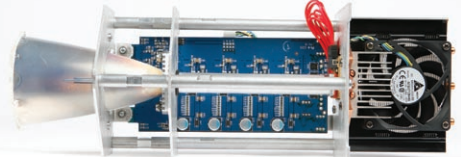
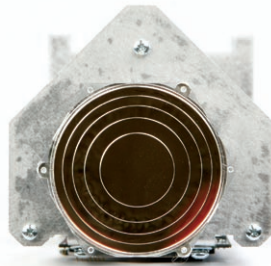
PHILIPS
VARI***LITE**

VLX Wash Luminaire

The VARI*LITE® VLX™ Wash luminaire incorporates the most attractive benefits of LED lighting technology with the product quality and design ingenuity only found in VARI*LITE automated luminaires. By giving lighting designers the unique ability to replicate the color temperature of a tungsten or arc lamp source, this truly revolutionary luminaire offers an incomparable flexibility never seen before in the LED lighting market. With stunning colors, powerful intensity, a multi-year source life, low energy consumption and even lower maintenance costs, the VLX Wash luminaire truly is the new face of LED lighting technology.

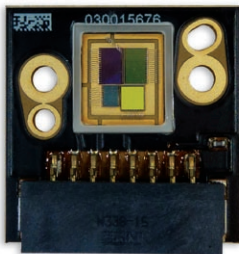
With patents pending, the internal beam homogenization system creates smooth color-mixing that is natural and free of any “color shadowing” effects associated with other LED fixtures. Additionally, the VLX Wash offers a dynamic CRI adjustment and continuously adjustable color temperature white range between approximately 3000 and 9000 Kelvin. All fixtures are calibrated at the factory to provide spectacular color consistency between every VLX Wash luminaire.





Individual Optical Module

This intelligent design houses seven, 120-watt, replaceable, RGBW, LED chipsets that sustain an output with three times the efficacy of comparable tungsten sources. The total system provides an approximate 14,000 lumens of output. To ensure that lamp replacement costs are a thing of the past, each LED chipset is rated with a 10,000 hour source life at full RGBW. Lumen maintenance of 70% over that time guarantees that the VLX Wash will remain powerful and bright well into the future. The modular design of the VLX Wash allows for the LED chipsets to be easily replaced and upgraded as new technologies become available. An active and intelligent thermal management system prevents components from overheating which dramatically extends the life of the LED chipsets and electronics. This system has three modes of operation allowing users to manage audible noise via a console control channel or from the fixture itself.

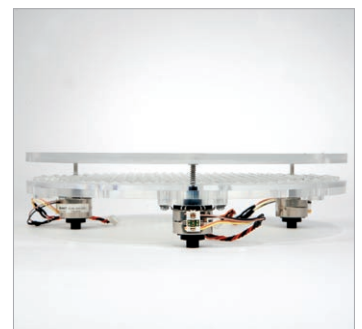
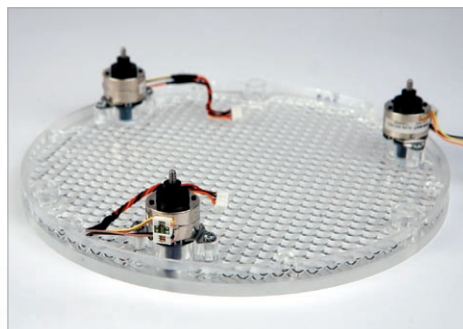


Actual size



To give lighting designers the best in zoom control, the VLX Wash utilizes the patented Vari-Lite Zoom System that offers a zoom range from 23 to 58 degrees. Should a tighter beam be desired, the entire Zoom Module can be easily removed from the luminaire for a fixed field angle of 22 degrees. To further compliment the desires of lighting designers, accessory mounting points are included allowing for the easy attachment of aftermarket beam control devices such as top hats.

Removable Zoom Module





Programmable Functions

Intensity Control: Smooth, high resolution dimming control of R, G, B, and W LED's.

Color Mixing System: Seven x 120 watt, replaceable custom RGBW LED chipsets. Each chipset contains high density red, green, blue, and white LED emitters.

Zoom Optics: Patented Zoom System with continuously variable field angle from approximately 23° to 58°. (Zoom Module is easily removable for fixed field angle of 22°.)

Strobe: High speed with multiple strobe effects.

Pan and Tilt: Smooth, time-controlled continuous motion by way of a pair of three-phase stepper motor systems.

Range: Pan - 540°, Tilt - 270°.

Accuracy: 0.3° resolution.

Description

Source: Seven x 120 watt, replaceable custom RGBW chipsets.

Color Temp. White: Variable between approximately 3000 and 9000 Kelvin. CRI: Dynamically adjustable

Manufacturer Rated Life: In excess of 10,000 hours. (at full RGBW)

Output: Approximately 14,000 lumens (white light).

Power

Requirements: Standard AC power distribution from 100-240VAC, 50/60Hz. The unit requires up to 10A depending on the AC supply voltage.

Operational Temperature: -20° to 122°F (-29° to 50°C)

Cooling: Variable forced air cooling.

DMX Control: Completely compatible with a wide variety of DMX512 lighting control consoles. 23 channels. 5-pin in and thru DMX.

Mounting Position: May be mounted and operated in any orientation.

Spacing: Hangs on 22 inch (55.9 cm) centers.

Weight: 62 lbs. (28 kg.) with included pair of hanging rails.

Ordering Information

Luminaires:

- 20.9690.0001 VLX Wash Luminaire
- 20.9690.0001.02 VLX Wash Luminaire, White Paint

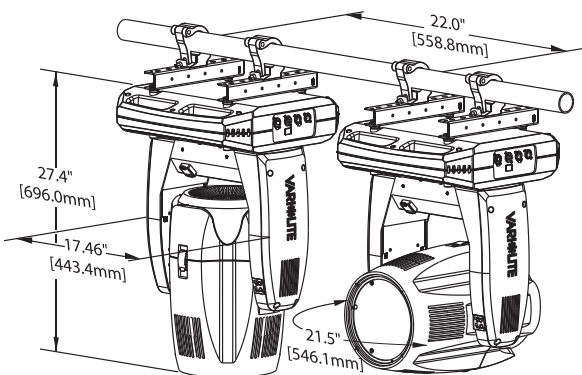
Accessories:

- 22.9620.0194 Safety Cable Assembly
- 28.8500.0054 USB Luminaire Programming Kit
- 55.6840.0001 Truss Hook, Mega-Clamp (For round and square pipe.)
- 55.6841.0001 Truss Hook, Mega-Claw (For 2" round pipe.)

Photometric Data

Zoom	LED Mode	Field Angle	Lumens	CCT
Narrow	RGBW	23	12244	9272
Wide	RGBW	58	10857	8523
Without Lens Array	RGBW	22	13922	8866

Distributed by:



Philips Vari-Lite

Dallas
10911 Petal Street
Dallas, TX 75238
Tel: 1.877.VARILITE
Fax: (214) 647-8038

www.vari-lite.com

© Philips Group 2009
All rights reserved.
The Company reserves the right to make any variation in design or construction to the equipment described. E&OE

